



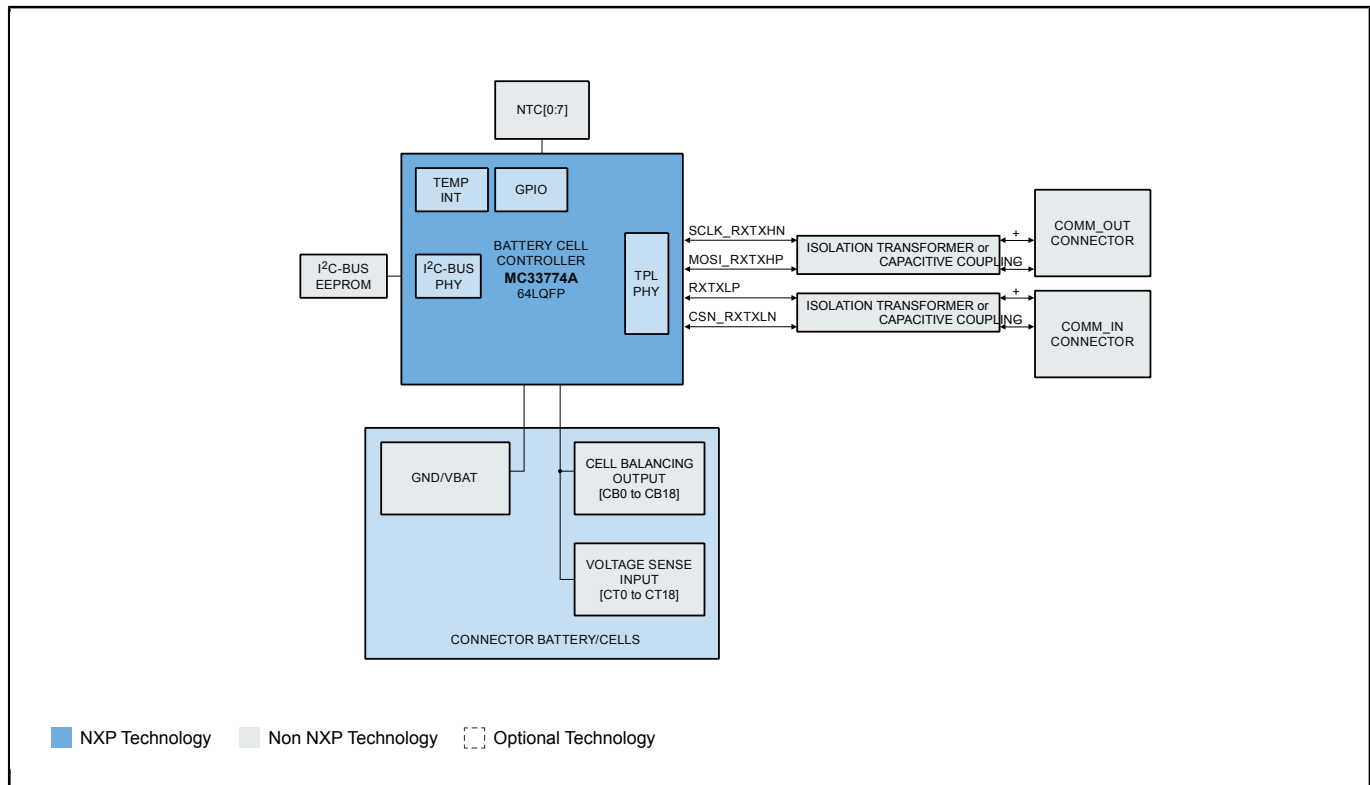
# MC33774ATP Evaluation Board with Isolated Daisy Chain

## RD33774PDSTEVB

Last Updated: Apr 19, 2024

The RD33774PDSTEVB is a distributed cell monitoring unit (CMU) reference design with electrical transport protocol link (ETPL) communication. It is ideal for rapid prototyping of a high-voltage battery management system (HVBMS) hardware and software. This board contains one [MC33774](#) analog front end (AFE). Several units of this board can be connected to a same daisy chain.

# MC33774ATP Evaluation Board with Isolated ETPL Daisy Chain Communication Block Diagram



View additional information for [MC33774ATP Evaluation Board with Isolated Daisy Chain](#).

**Note:** The information on this document is subject to change without notice.

[www.nxp.com](http://www.nxp.com)

NXP and the NXP logo are trademarks of NXP B.V. All other product or service names are the property of their respective owners. The related technology may be protected by any or all of patents, copyrights, designs and trade secrets. All rights reserved. © 2024 NXP B.V.