



14 V Battery Management System (BMS) Reference Design, Lead-Acid Replacement

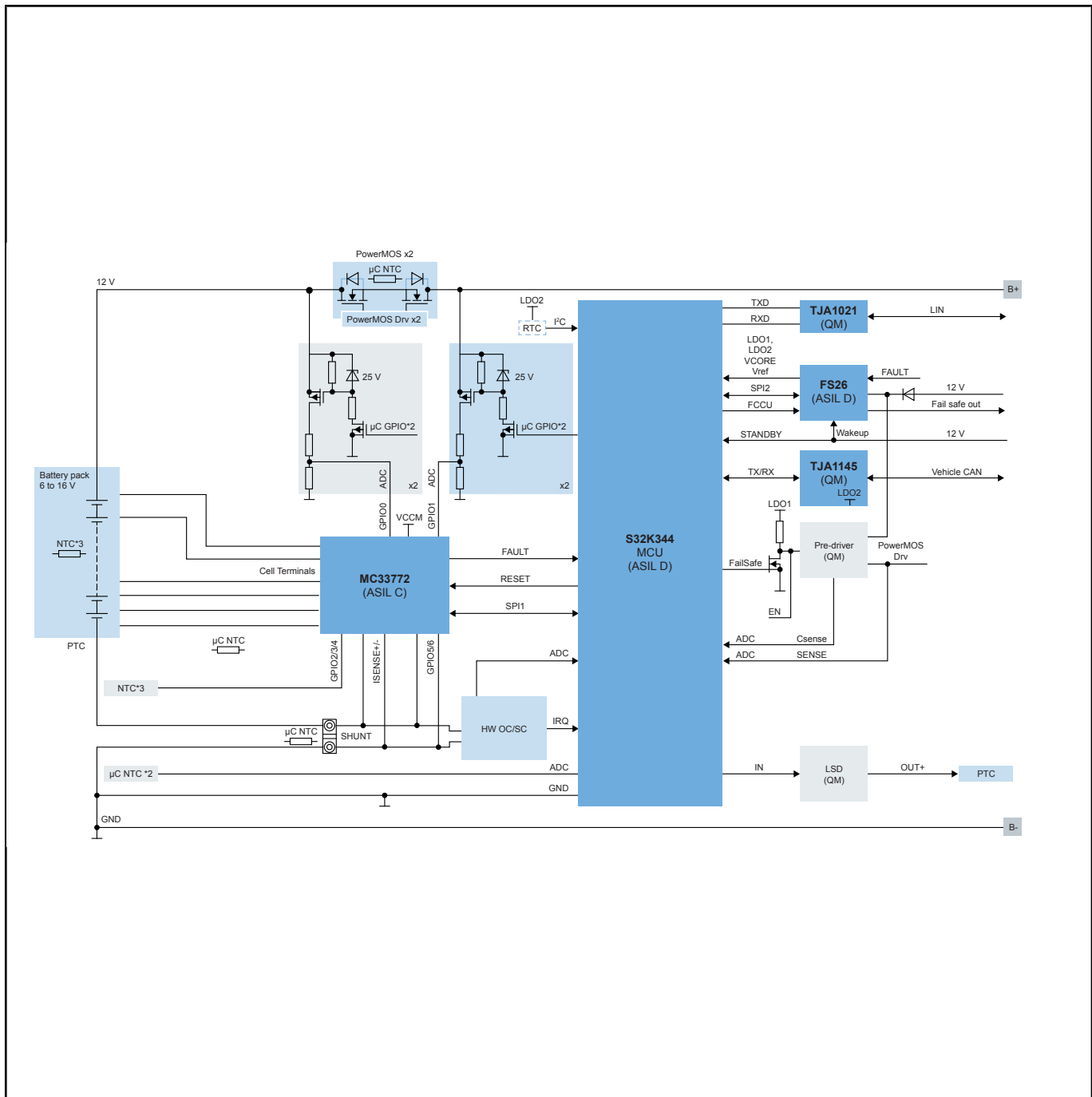
RD33772C14VEVM

Last Updated: Oct 4, 2023

The RD33772C14VEVM is a standalone battery management system (BMS) reference design targeting automotive 14 V lead-acid replacement applications. It is ideal for evaluation, development and rapid prototyping.

This design is based around a [S32K344](#) automotive-grade ASIL microcontroller and a [FS26](#) safety system basis chip. The analog front end is supported by the [MC33772C](#) battery cell controller supporting 3 to 6 cells. Various cell chemistries are supported such as NMC, LFP and LTO.

14 V BMS Reference Design, Lead-Acid Replacement Block Diagram



View additional information for [14 V Battery Management System \(BMS\) Reference Design, Lead-Acid Replacement](#).

Note: The information on this document is subject to change without notice.

www.nxp.com

NXP and the NXP logo are trademarks of NXP B.V. All other product or service names are the property of their respective owners. The related technology may be protected by any or all of patents, copyrights, designs and trade secrets. All rights reserved. © 2024 NXP B.V.