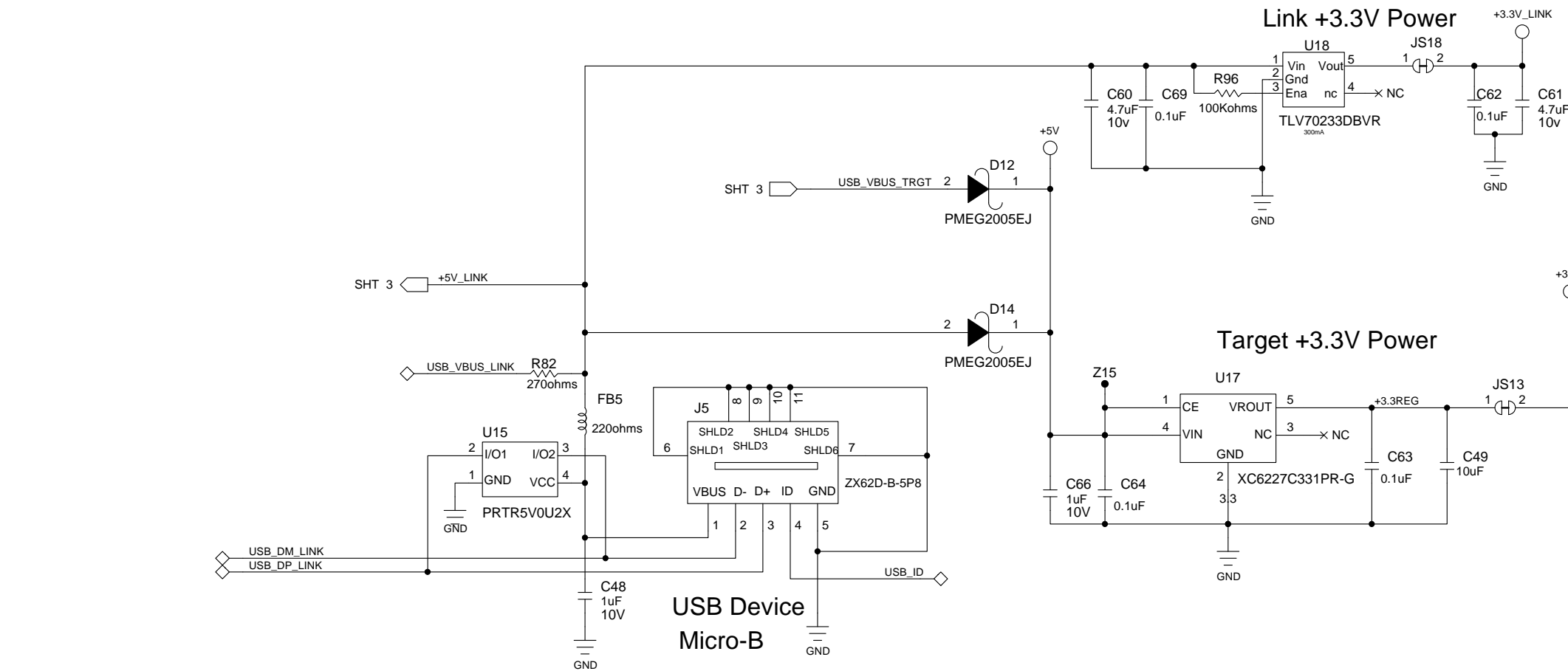
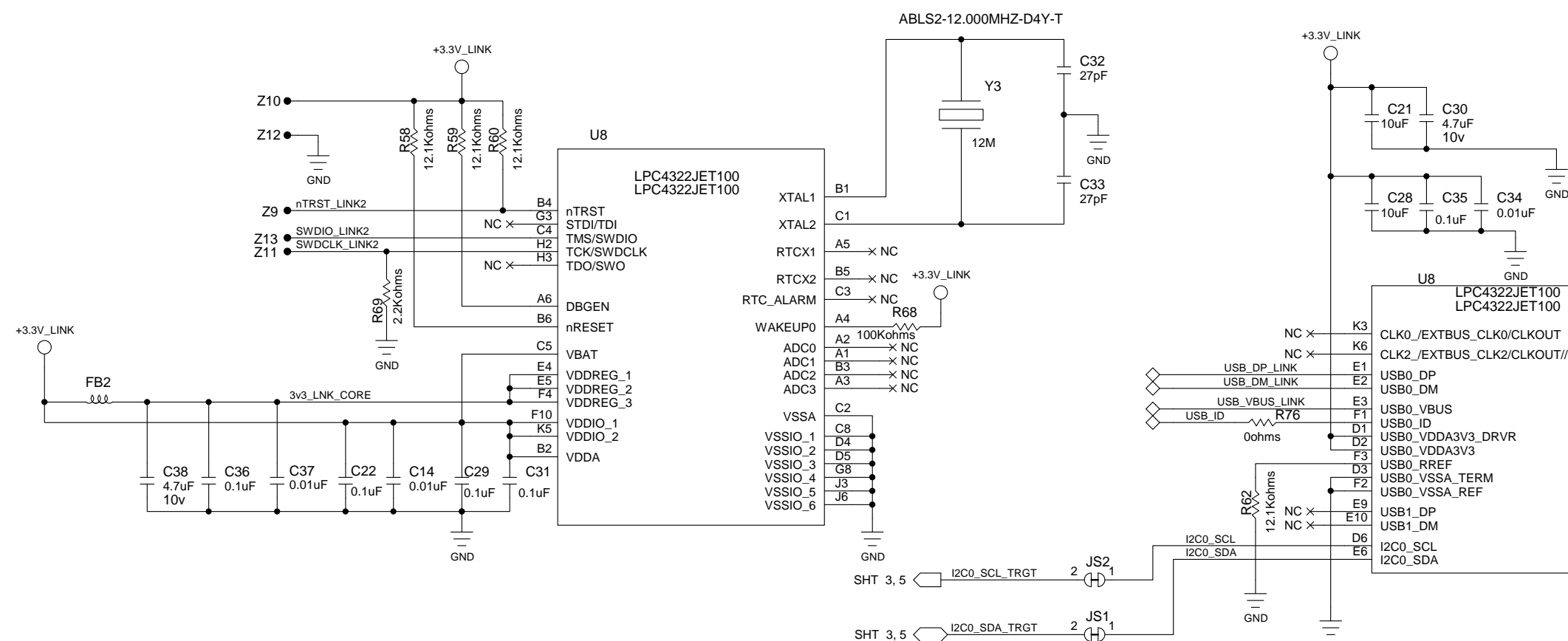


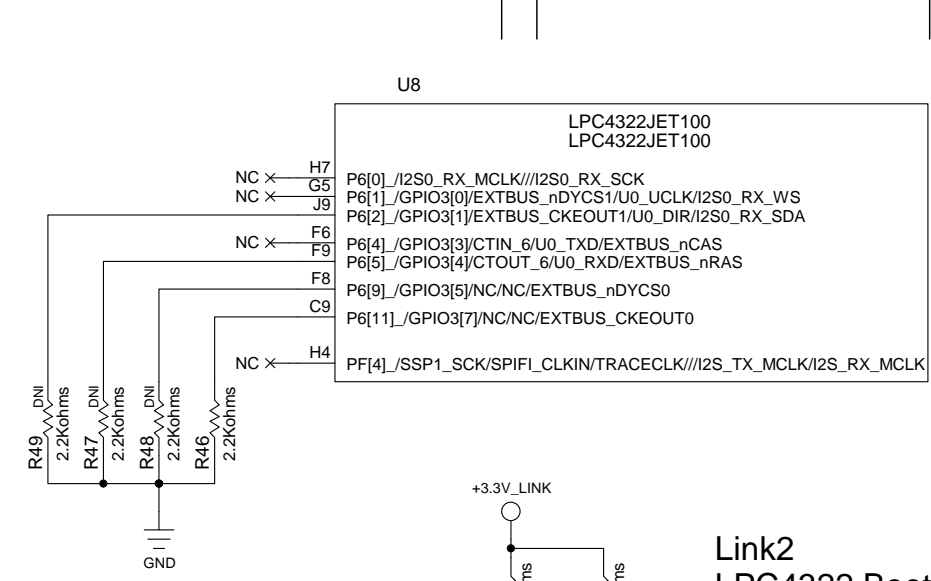
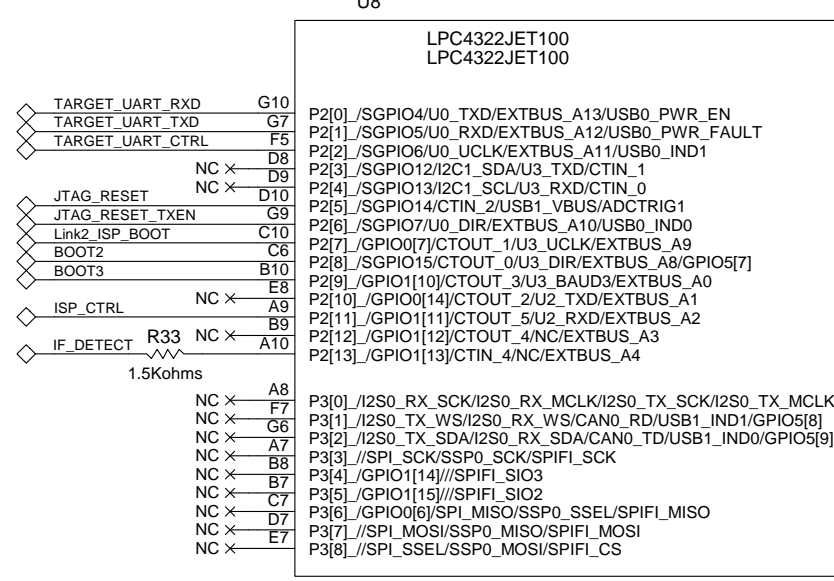
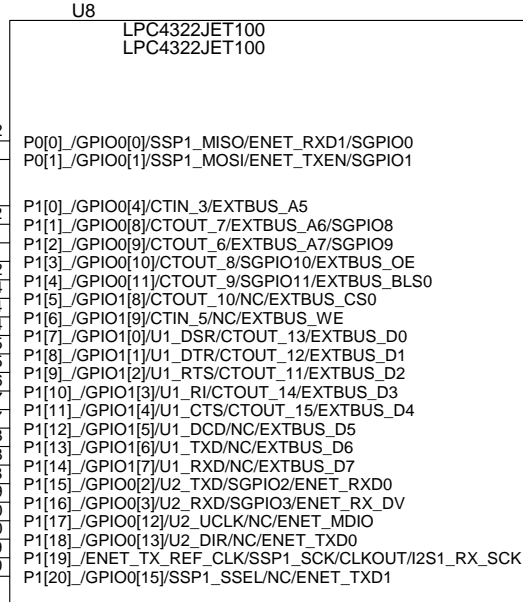
REVISIONS			
REV	DESCRIPTION	DATE	APPROVED
A	- U4 (A71x) chip SPI_CLK pd to gnd; - add 3-pos JS20 to RESETn; sht 5	12/23/2014	
A1	- change JS16 default to 2-3; sht 6	02/02/2015	
A2	- change JS20 default to 2-3; sht 5	02/03/2015	
A3	- corrected refdes in notes; sht multiple	02/19/2015	

Notes:
 1) "DNI" = Do Not Install by default
 2) "JSx" solder jumpers use 0ohm resistor for default strapping.



CONTRACT NO.		LINK2 LPC4322 / USB / Power		
APPROVALS	DATE	NXP Semiconductors		
DRAWN	d.consiglio	411 E. Plumeria Dr		
CHECKED		San Jose, CA 95134		
ISSUED	02/16/2015	SIZE	FSCM NO.	DWG. NO.
		D		LPCXpresso433x v3
		SCALE		REV A3
				SHEET 1 OF 07

REVISIONS			
REV	DESCRIPTION	DATE	APPROVED



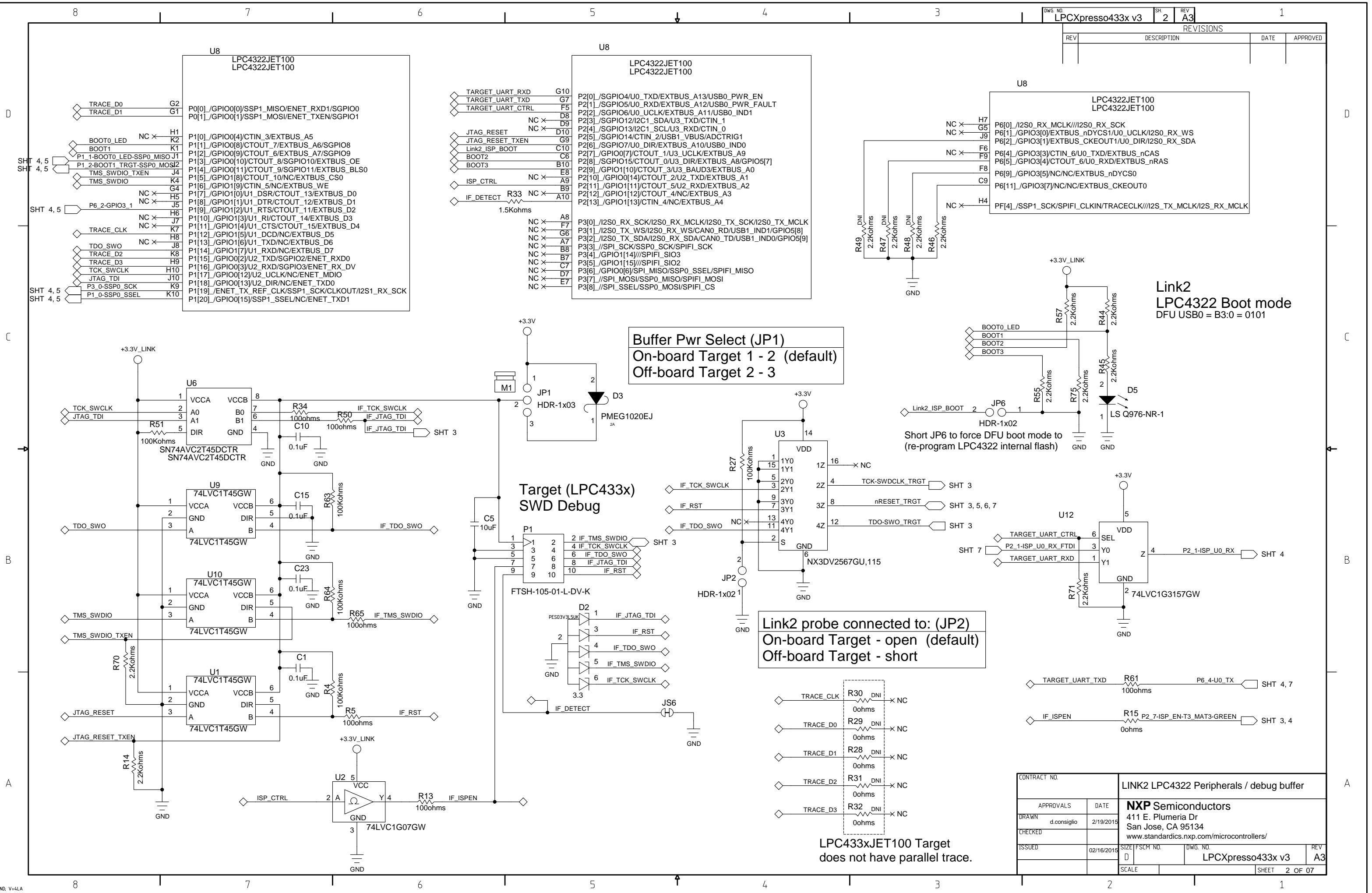
Link2
LPC4322 Boot mode
DFU USB0 = B3:0 = 0101

Buffer Pwr Select (JP1)
On-board Target 1 - 2 (default)
Off-board Target 2 - 3

Short JP6 to force DFU boot mode to (re-program LPC4322 internal flash)

Link2 probe connected to: (JP2)
On-board Target - open (default)
Off-board Target - short

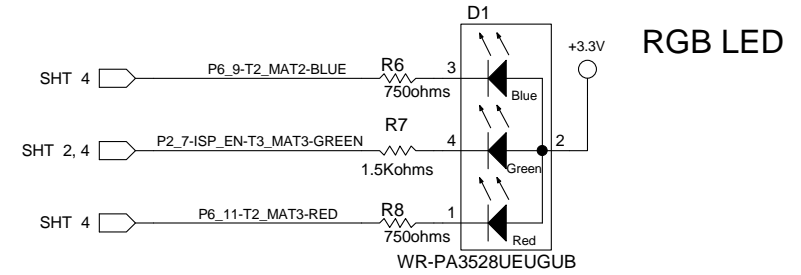
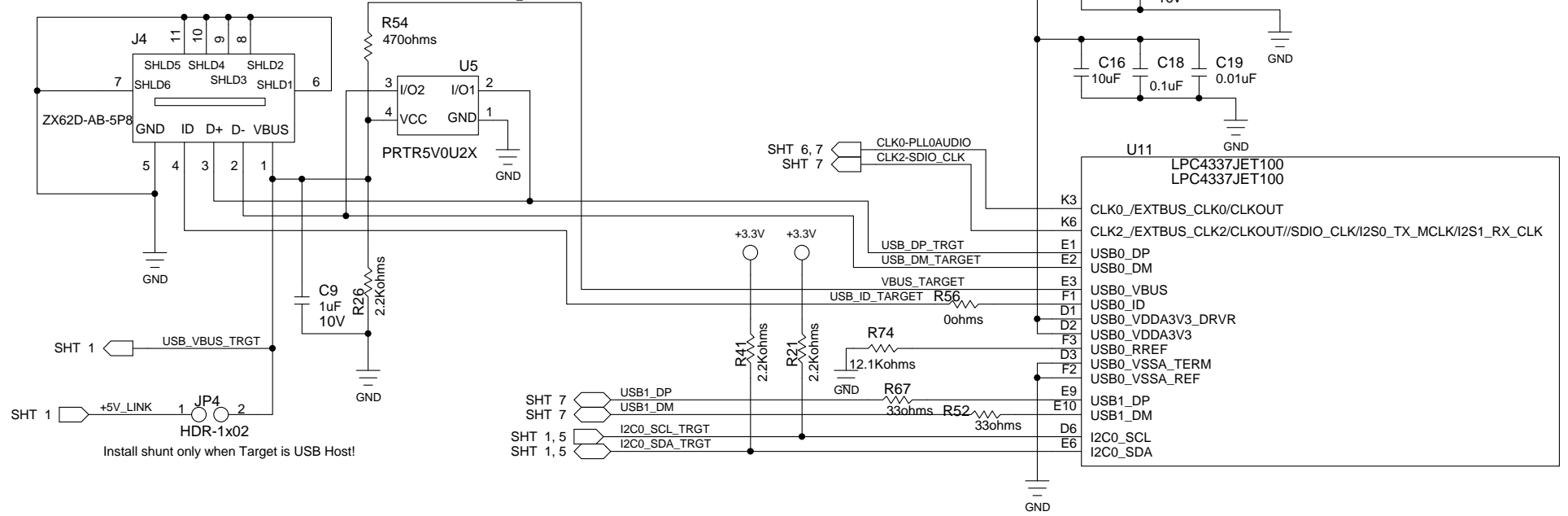
LPC433xJET100 Target does not have parallel trace.



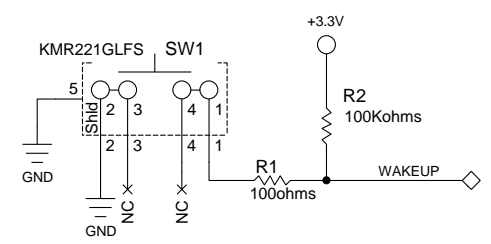
CONTRACT NO.		LINK2 LPC4322 Peripherals / debug buffer	
APPROVALS	DATE	NXP Semiconductors	
DRAWN d.consiglio	2/19/2015	411 E. Plumeria Dr San Jose, CA 95134 www.standardics.nxp.com/microcontrollers/	
CHECKED		SIZE	DWG. NO.
ISSUED	02/16/2015	D	LPCXpresso433x v3
		SCALE	SHEET 2 OF 07

REVISIONS			
REV	DESCRIPTION	DATE	APPROVED

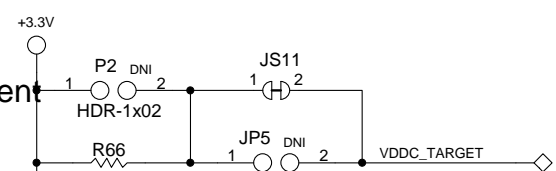
Target Hi-SpeedUSB Device / Host Micro-AB



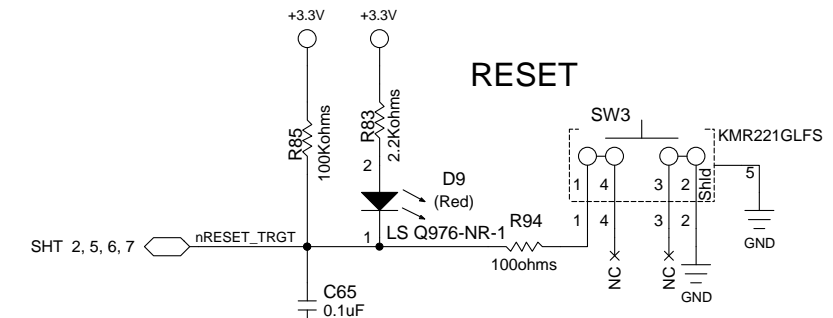
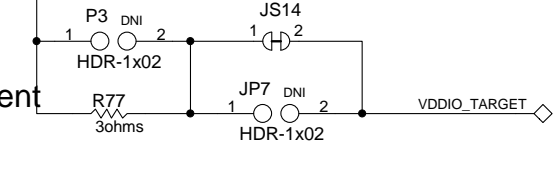
WAKEUP



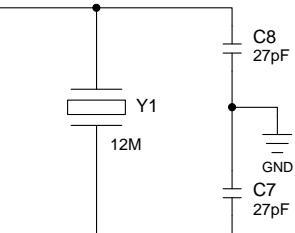
Target Vddc measurement



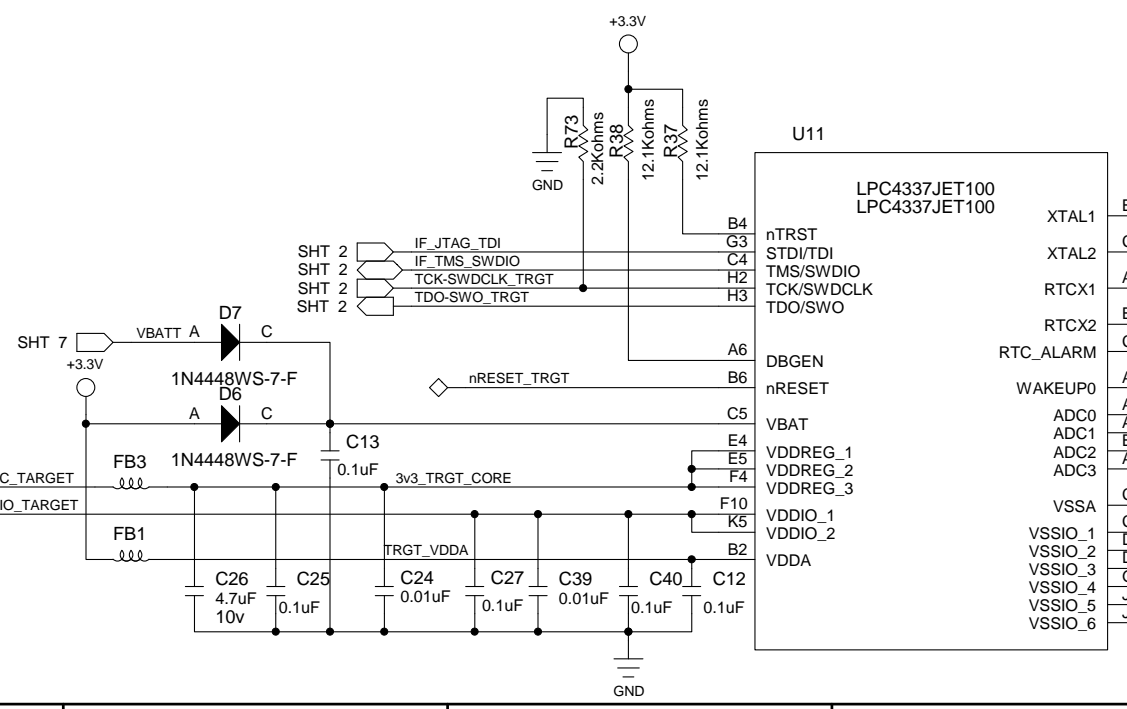
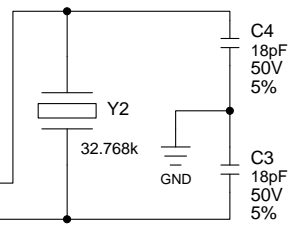
Target VddIO measurement



ABLS2-12.000MHZ-D4Y-T

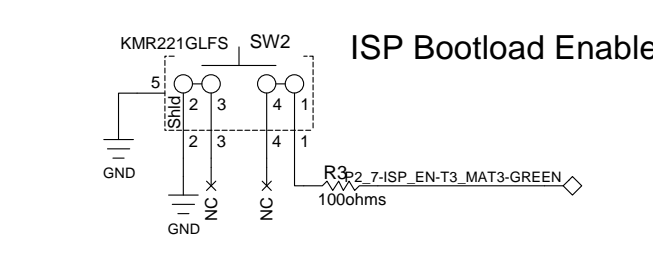
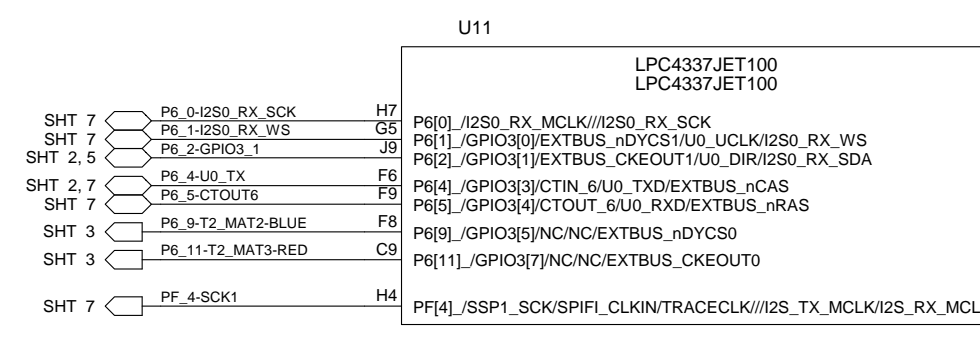
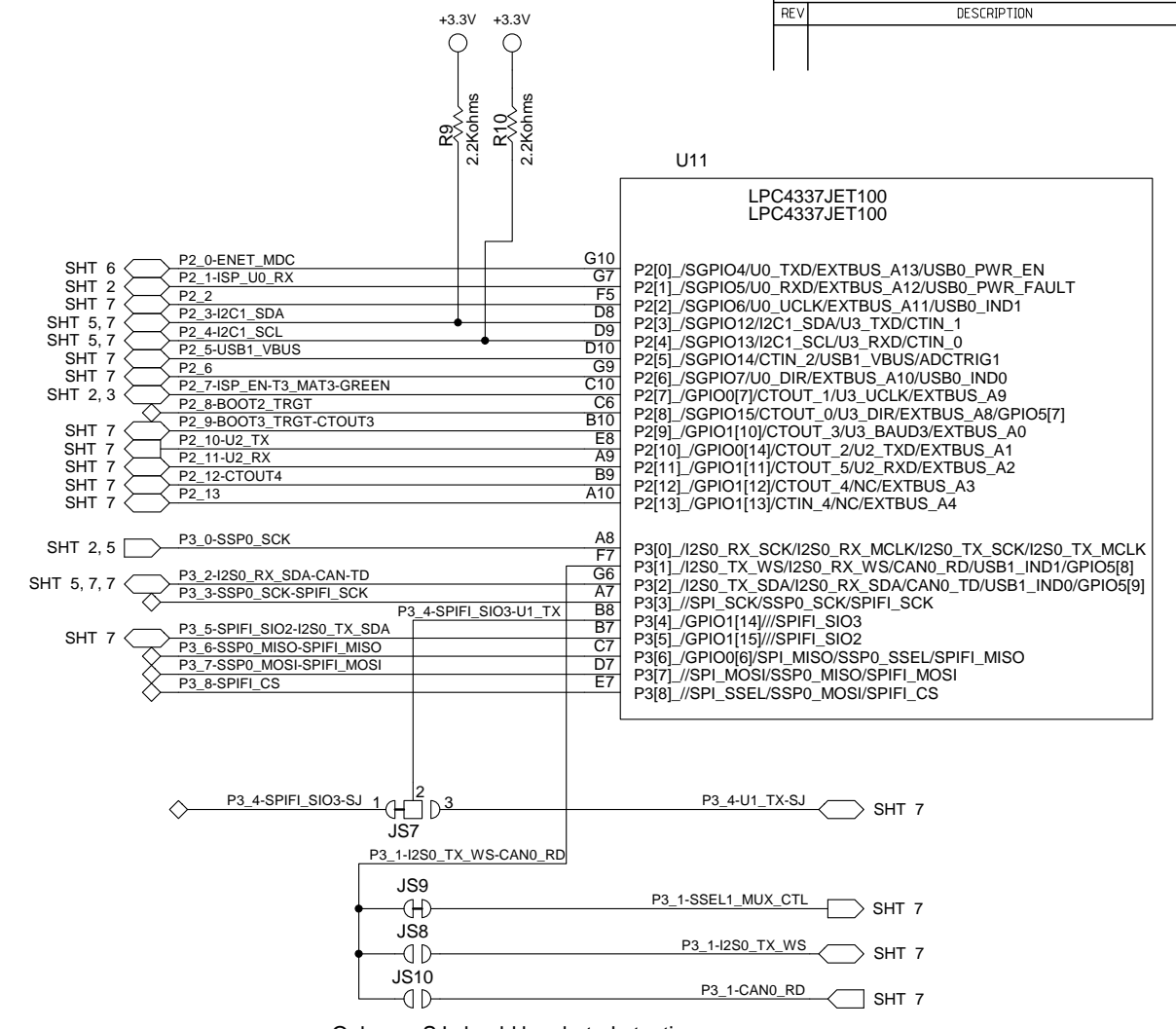
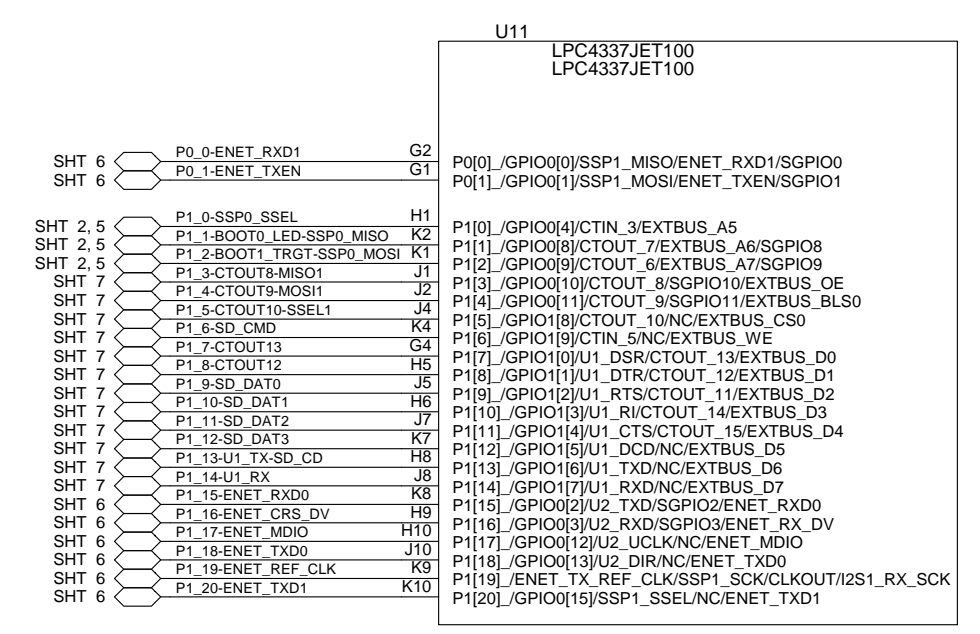


SSPT7F-12.5PF20-R

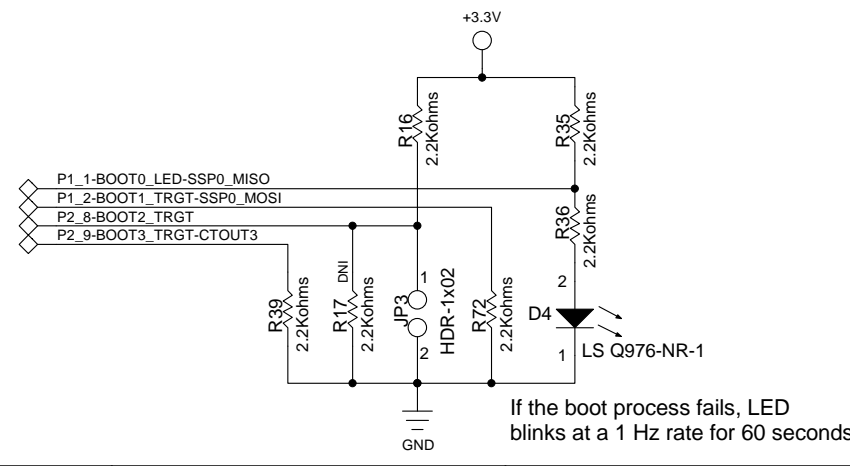
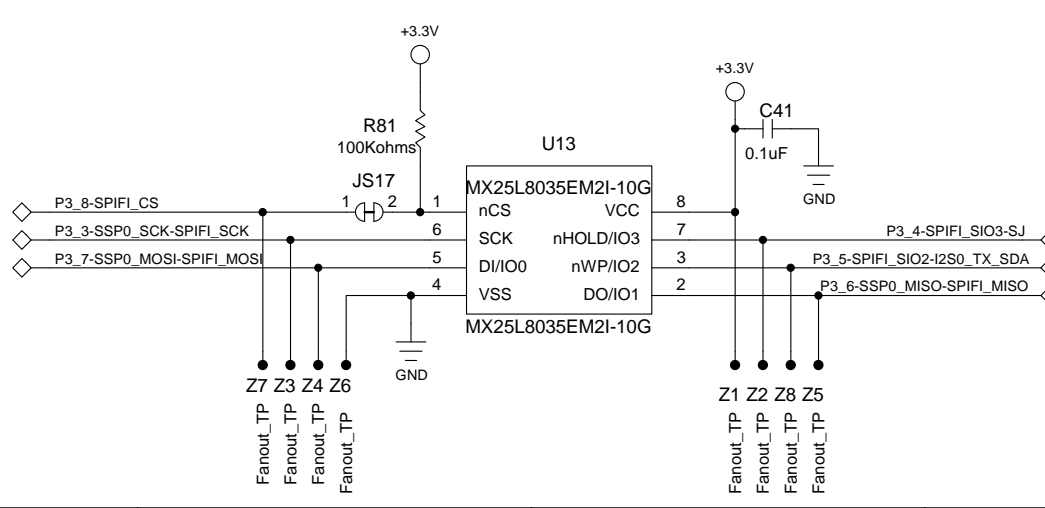


CONTRACT NO.		Target LPC433x / Power / USB	
APPROVALS	DATE	NXP Semiconductors 411 E. Plumeria Dr San Jose, CA 95134 www.standardics.nxp.com/microcontrollers/	
DRAWN	2/3/2015		
CHECKED			
ISSUED	02/16/2015		
		SIZE	D
		FSCM NO.	
		DWG. NO.	LPCXpresso433x v3
		REV	A3
		SCALE	
		SHEET	3 OF 07

REVISIONS			
REV	DESCRIPTION	DATE	APPROVED

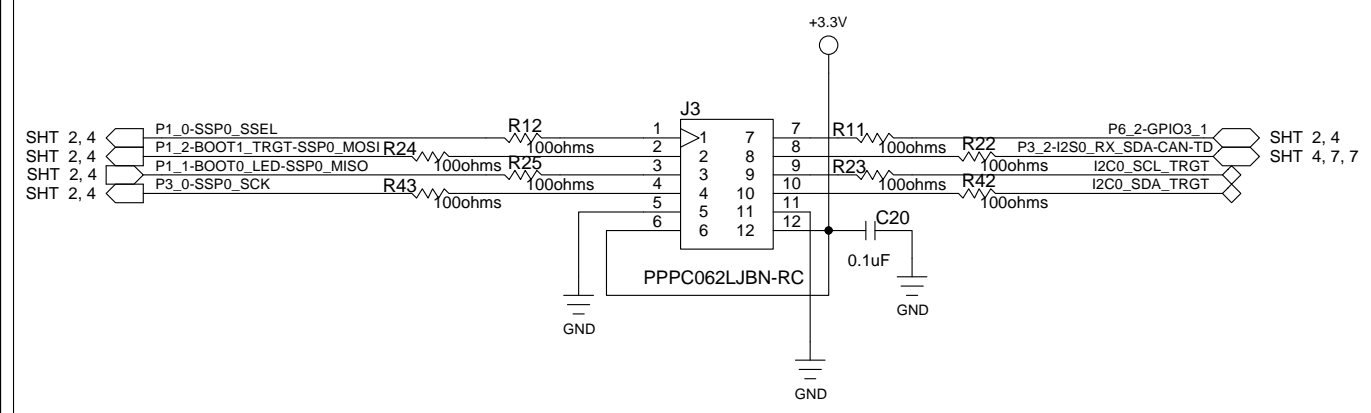


Target LPC43xx Boot Modes					
Mode	P2_7	P2_9	P2_8	P1_2	P1_1
No ISP	high	X	X	X	X
Flash boot	low	low	high	low	high
ISP USB	low	low	low	low	high
ISP SPIFI	low	low	low	low	high



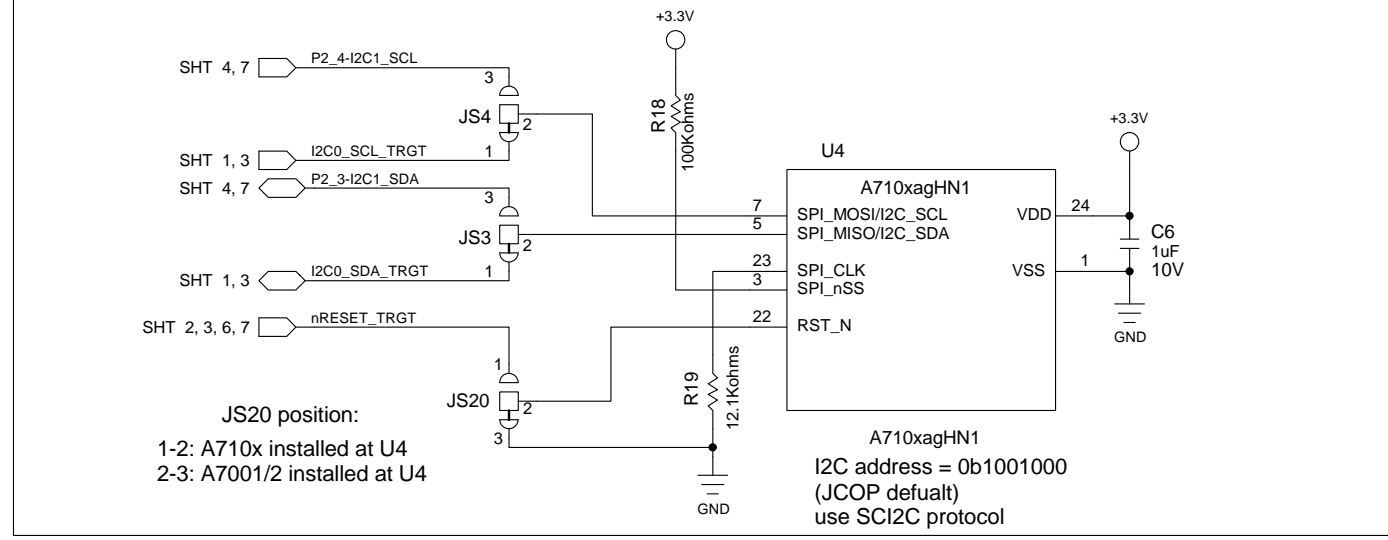
CONTRACT NO.		LPC433x Target Peripherals / Boot select			
APPROVALS	DATE	NXP Semiconductors			
DRAWN	2/19/2015	411 E. Plumeria Dr			
CHECKED		San Jose, CA 95134			
ISSUED	02/16/2015	www.standardics.nxp.com/microcontrollers/			
SCALE		SIZE	FSCM NO.	DWG. NO.	REV
		D		LPCXpresso433x v3	A3
				SHEET	4 OF 07

SPI / I2C header (PMOD compatible)



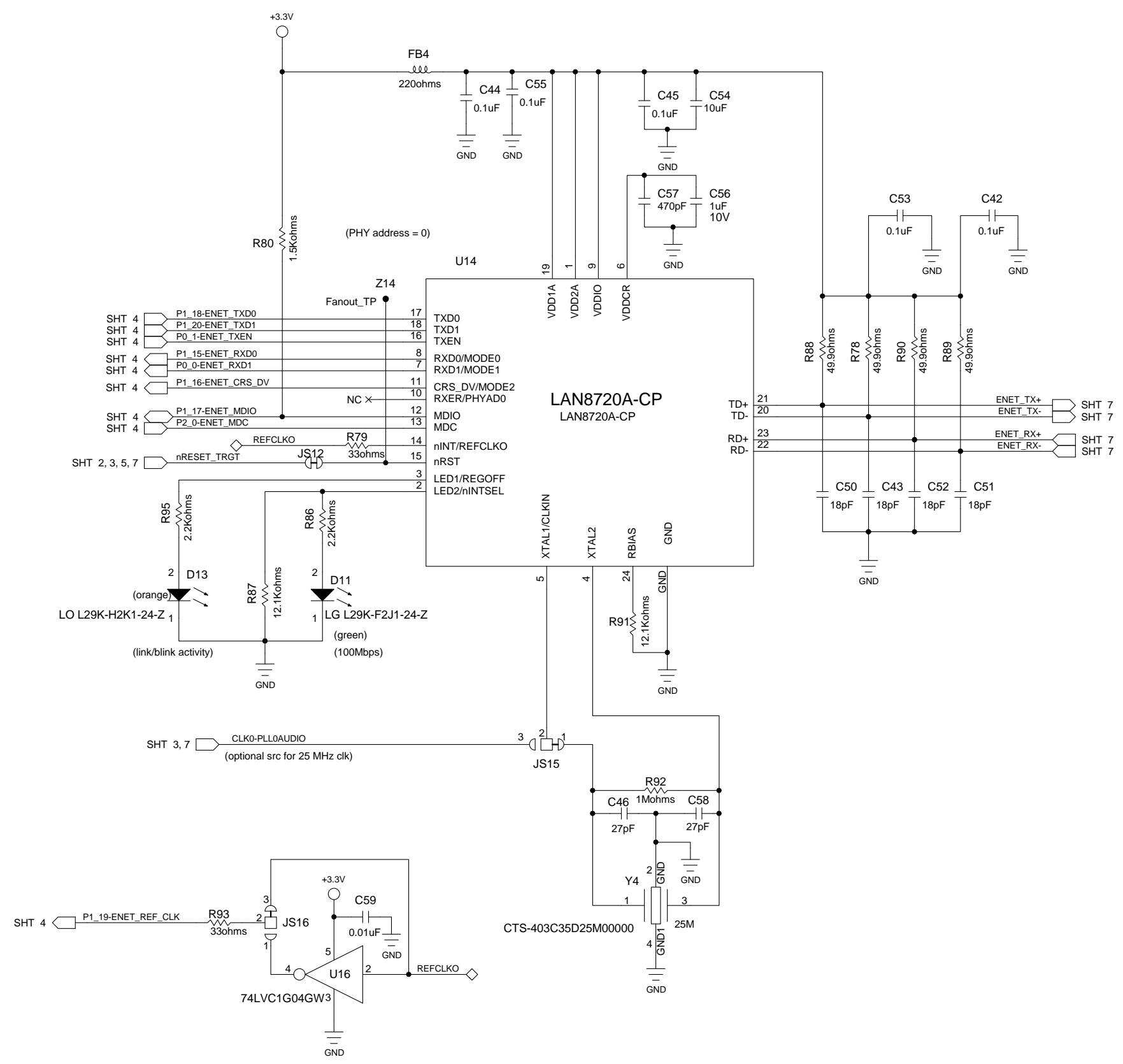
PMOD pin function	LPC43xx supported function
Pin 1: GPIO/SPI-SSEL(out)/UART-CTS(in)	GPIO/SPI-SSEL(in/out)
Pin 2: GPIO/SPI-MOSI(out)/UART-TXD(out)	GPIO/SPI-MOSI(in/out)
Pin 3: GPIO/SPI-MISO(in)/UART-RXD(in)	GPIO/SPI-MISO(out/in)
Pin 4: GPIO/SPI-SCK(out)/UART-RTS(out)	GPIO/SPI-SCK(in/out)
Pin 5: GND	GND
Pin 6: VCC(3.3V)	VCC(3.3V)
Pin 7: GPIO/INT(in)	GPIO/INT(out/in)
Pin 8: GPIO/RESET(out)	GPIO/RESET(out)
Pin 9: GPIO/SCL	SCL
Pin 10:GPIO/SDA	SDA
Pin 11:GND	GND
Pin 12:VCC(3.3V)	VCC(3.3V)

NXP A70xx / A71 secure MCU



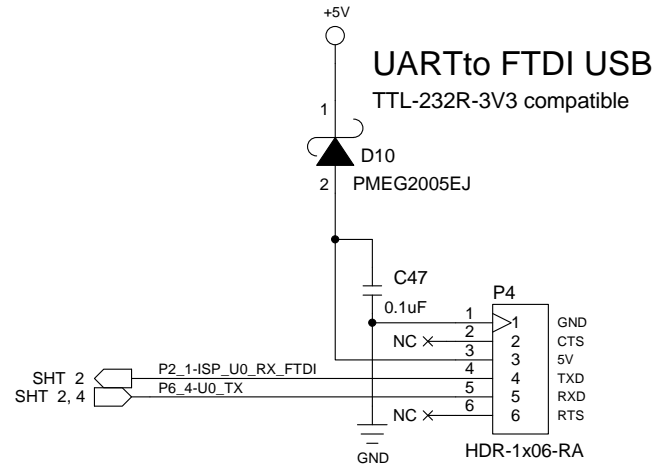
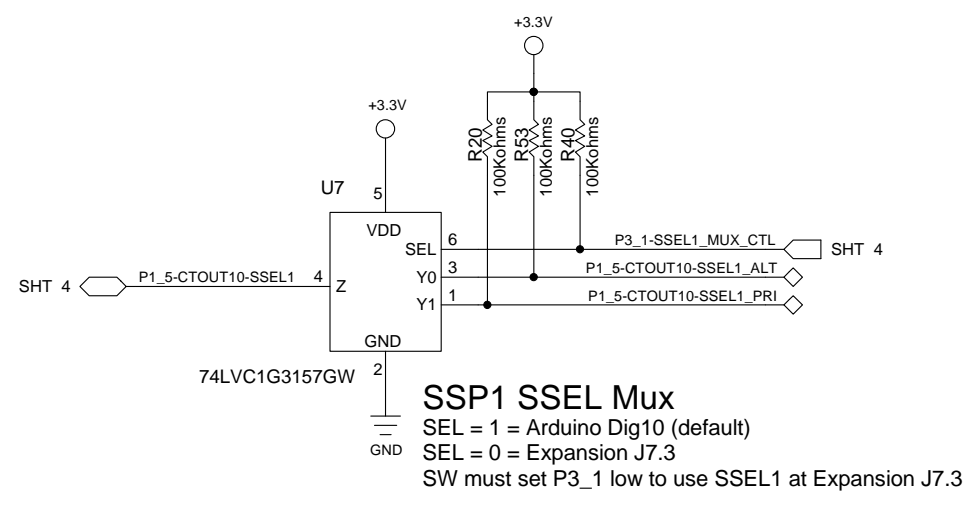
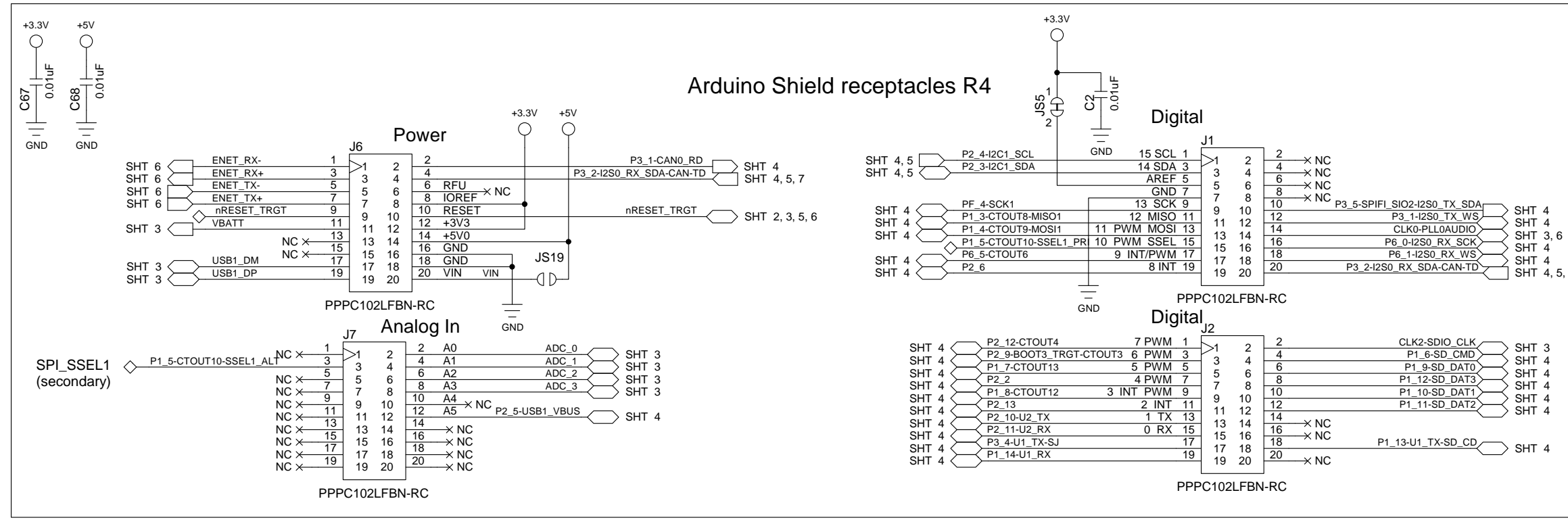
CONTRACT NO.		NXP A710x security / Pmod interfaces			
APPROVALS	DATE	NXP Semiconductors 411 E. Plumeria Dr San Jose, CA 95134 www.standardics.nxp.com/microcontrollers/			
DRAWN	d.consiglio				2/3/2015
CHECKED					
ISSUED	02/16/2015				
SCALE		SIZE / FSCM NO.	DWG. NO.	REV.	
		D	LPCXpresso433x v3	A3	
		SHEET		5 OF 07	

REVISIONS			
REV	DESCRIPTION	DATE	APPROVED



CONTRACT NO.		Ethernet PHY	
APPROVALS	DATE	NXP Semiconductors 411 E. Plumeria Dr San Jose, CA 95134 www.standardics.nxp.com/microcontrollers/	
DRAWN	d.consiglio 2/3/2015		
CHECKED			
ISSUED	02/16/2015	SIZE	D
		FSCM NO.	
		DWG. NO.	LPCXpresso433x v3
		REV	A3
		SCALE	
		SHEET	6 OF 07

REVISIONS			
REV	DESCRIPTION	DATE	APPROVED



CONTRACT NO.		APPROVALS		DATE		NXP Semiconductors	
DRAWN		d.consiglio		2/3/2015		411 E. Plumeria Dr	
CHECKED						San Jose, CA 95134	
ISSUED				02/16/2015		www.standardics.nxp.com/microcontrollers/	
SCALE		D		SIZE / FSCM NO.		DWG. NO.	
				LPCXpresso433x v3		REV. A3	
				SHEET		7 OF 07	