



TJA1104, MACsec Enabled ASIL B Compliant Automotive Ethernet 100BASE-T1 PHY Transceiver

TJA1104

Preproduction

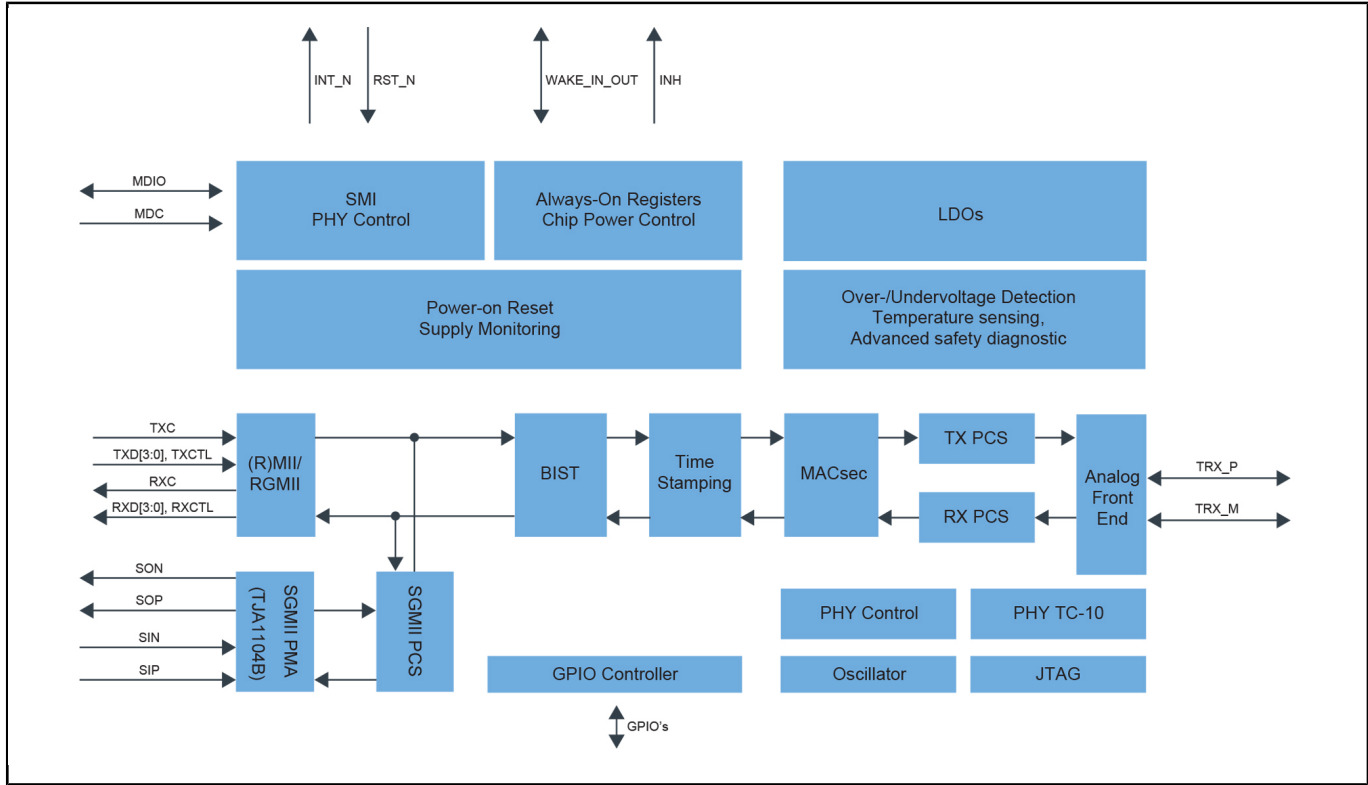
This page contains information on a preproduction product. Specifications and information herein are subject to change without notice. For additional information [contact support](#) or your sales representative.

Last Updated: May 8, 2024

TJA1104 is the first MACsec enabled product of NXP's successful family of 100BASE-T1 Automotive Ethernet PHYs. It addresses the security concerns for future networks and provides an efficient HW based solution with MACsec. To enable scalable platform designs TJA1104 is drop-in compatible with [TJA1103](#) and [TJA1120](#).

TJA1104 complies with all state-of-the-art conformance test specifications and is designed according to ISO 26262 to meet ASIL B, providing enhanced monitoring and diagnostic features. Further, it integrates OPEN Alliance TC-10 compliant wake-up forwarding over the Ethernet data line.

MACsec Enabled 100BASE-T1 Ethernet PHY Block Diagram



View additional information for [TJA1104, MACsec Enabled ASIL B Compliant Automotive Ethernet 100BASE-T1 PHY Transceiver](#).

Note: The information on this document is subject to change without notice.

www.nxp.com

NXP and the NXP logo are trademarks of NXP B.V. All other product or service names are the property of their respective owners. The related technology may be protected by any or all of patents, copyrights, designs and trade secrets. All rights reserved. © 2024 NXP B.V.