



# Active Bridge Rectifier Controller

## TEA2209T

Last Updated: May 20, 2022

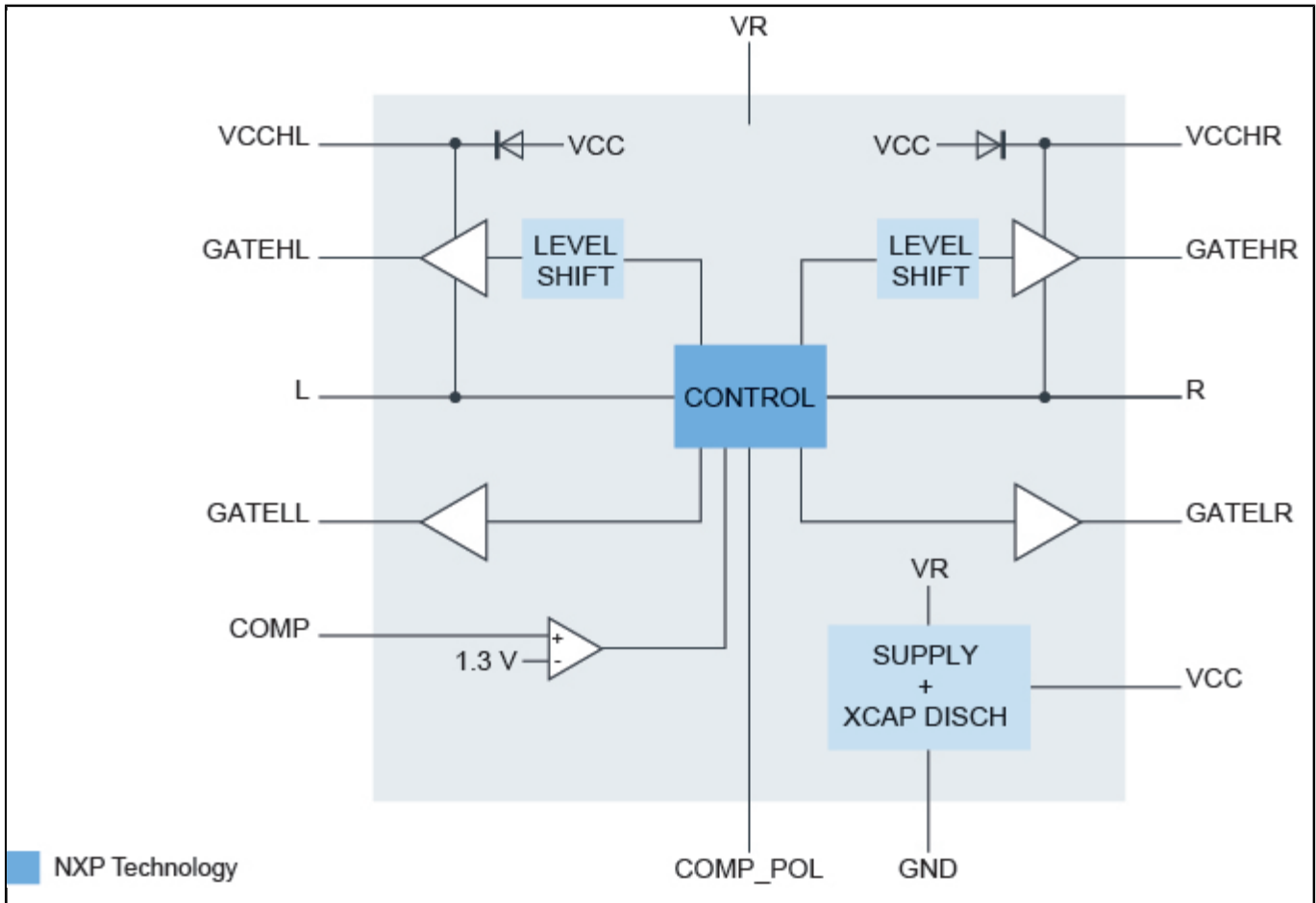
The TEA2209T is a product of a new generation of active bridge rectifier controllers replacing the traditional diode bridge.

Using the TEA2209T with low-ohmic high-voltage external MOSFETs significantly improves the efficiency of the power converter as the typical rectifier diode-forward conduction losses are eliminated. Efficiency can improve up to about 1.4 % at 90 V (AC) mains voltage.

The TEA2209T is designed in a silicon-on insulator (SOI) process.

For additional information and sample availability, contact your local [sales office](#).

## TEA2209T Block Diagram Block Diagram



View additional information for [Active Bridge Rectifier Controller](#).

**Note:** The information on this document is subject to change without notice.

**www.nxp.com**

NXP and the NXP logo are trademarks of NXP B.V. All other product or service names are the property of their respective owners. The related technology may be protected by any or all of patents, copyrights, designs and trade secrets. All rights reserved. © 2024 NXP B.V.