



# GreenChip X Capacitor Discharge IC

## TEA1708T

Last Updated: May 2, 2023

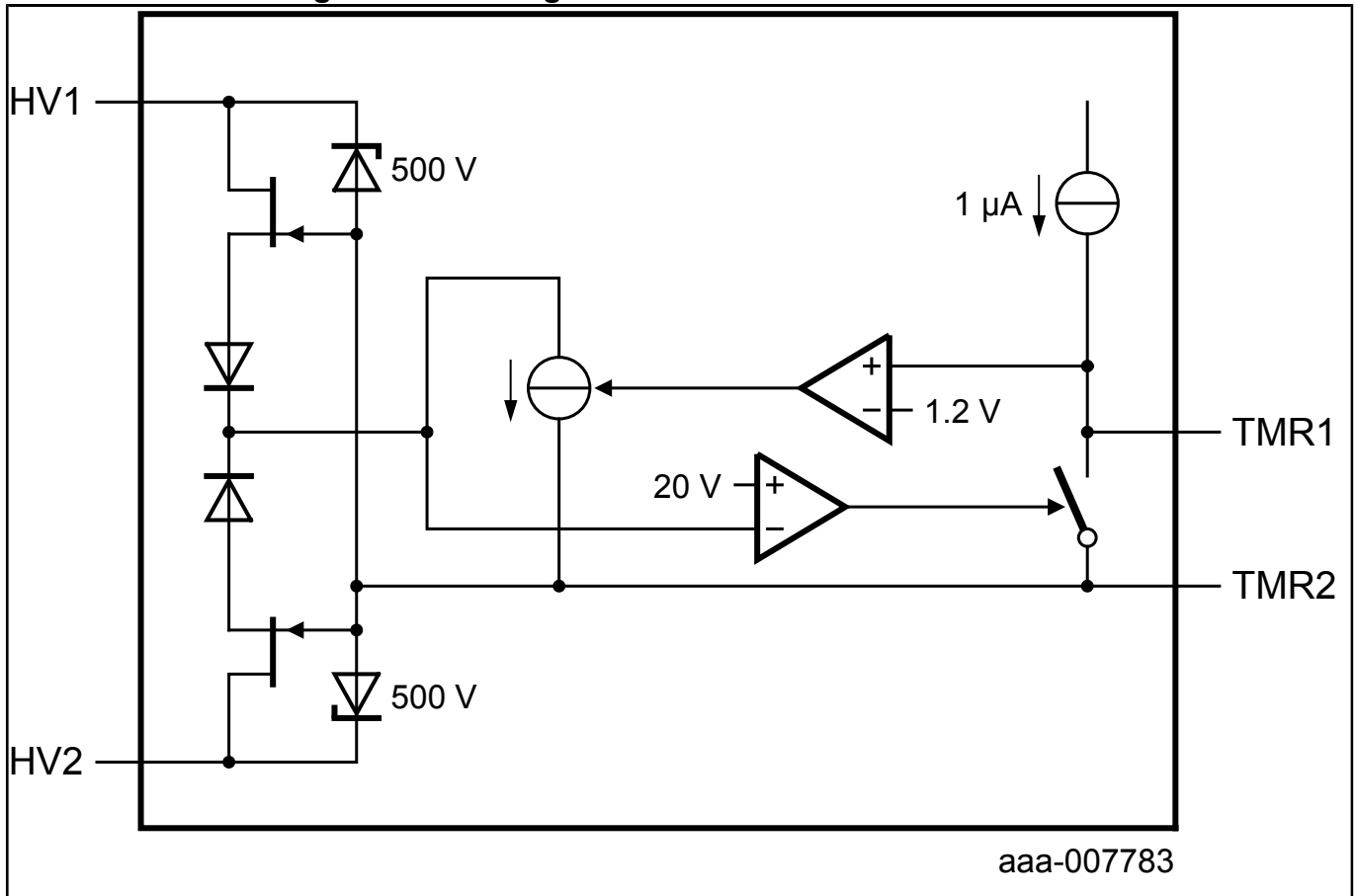
The TEA1708 is an automatic discharge IC for X capacitors with a low power consumption (typically 1 mW at 230 V (AC)).

A 500 V clamping circuit is integrated, protecting the IC during mains surges. In a typical application with only two 200 k resistors, the maximum differential mode mains surge voltage allowed exceeds 6 kV. A metal oxide varistor is not required to protect the IC.

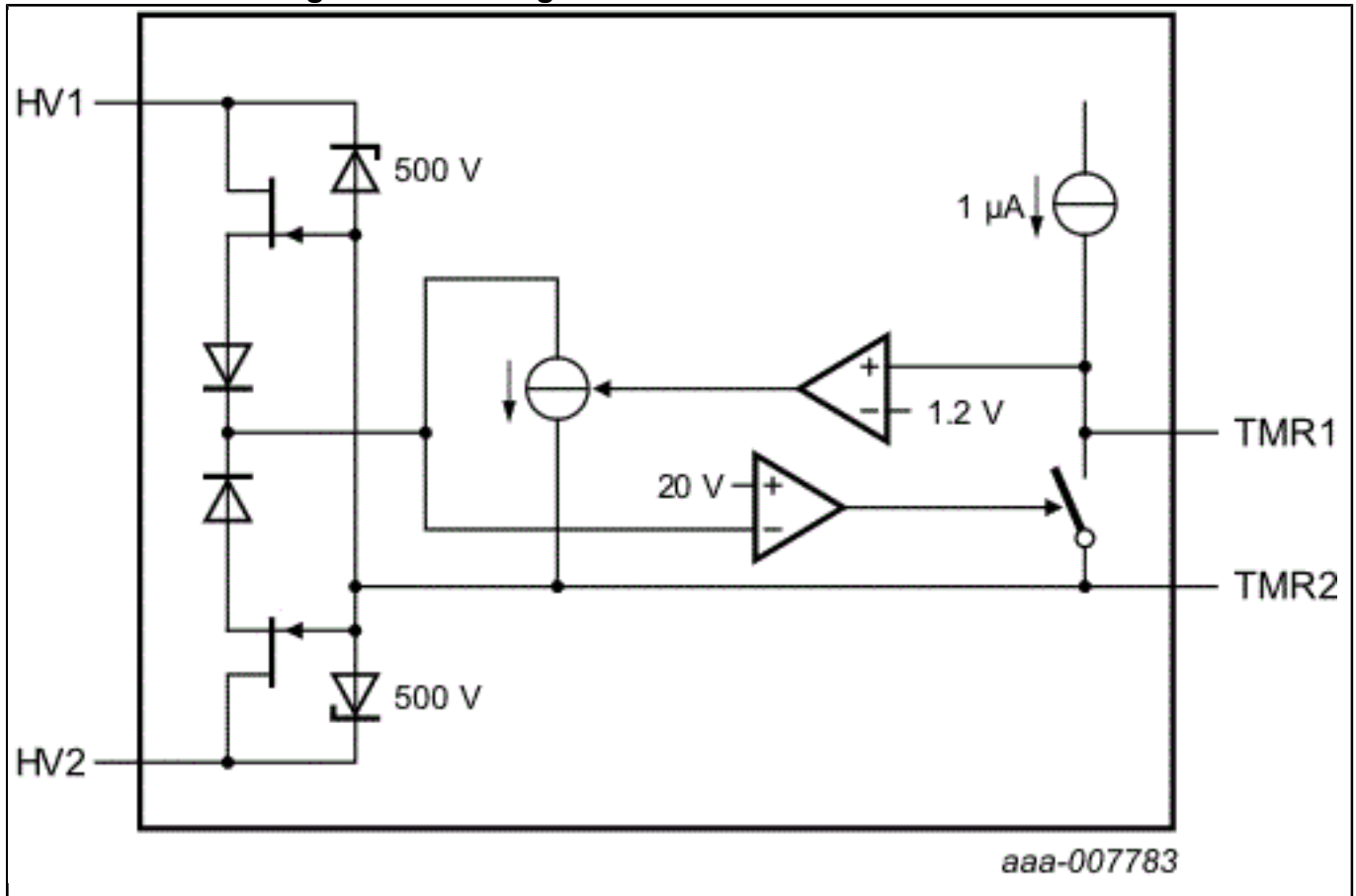
The X capacitor discharge current is internally limited to 2.3 mA. The discharge delay timer is set externally using a low voltage capacitor.

The very low power consumption in combination with a large discharge current enables the use of a large value X capacitor to reduce EMI while retaining the low standby power.

TEA1708T Block Diagram Block Diagram



TEA1708T block diagram Block Diagram



View additional information for [GreenChip X Capacitor Discharge IC](#).

**Note:** The information on this document is subject to change without notice.

---

**[www.nxp.com](http://www.nxp.com)**

NXP and the NXP logo are trademarks of NXP B.V. All other product or service names are the property of their respective owners. The related technology may be protected by any or all of patents, copyrights, designs and trade secrets. All rights reserved. © 2024 NXP B.V.