



# High Performance AM/FM/DAB Dual Tuner, Integrated Audio Post Processing, Open HiFi 2 Core

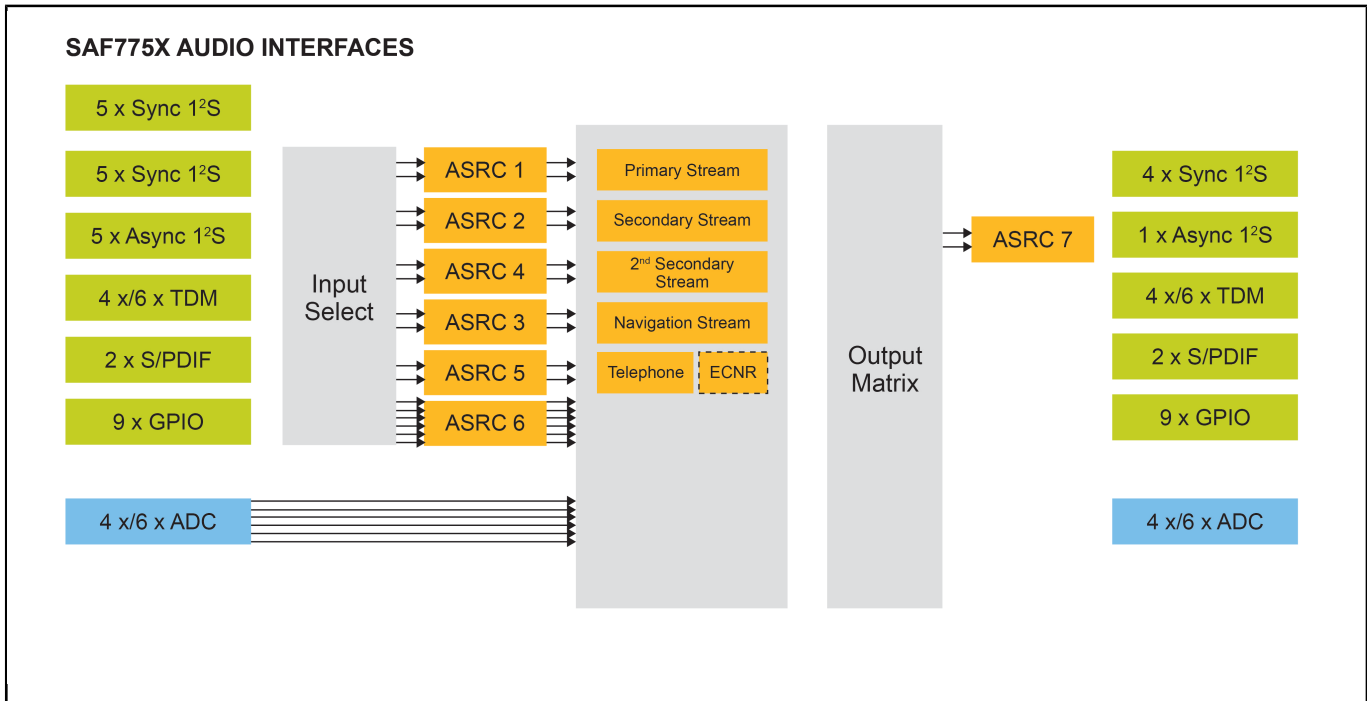
## SAF775X

Last Updated: Feb 10, 2023

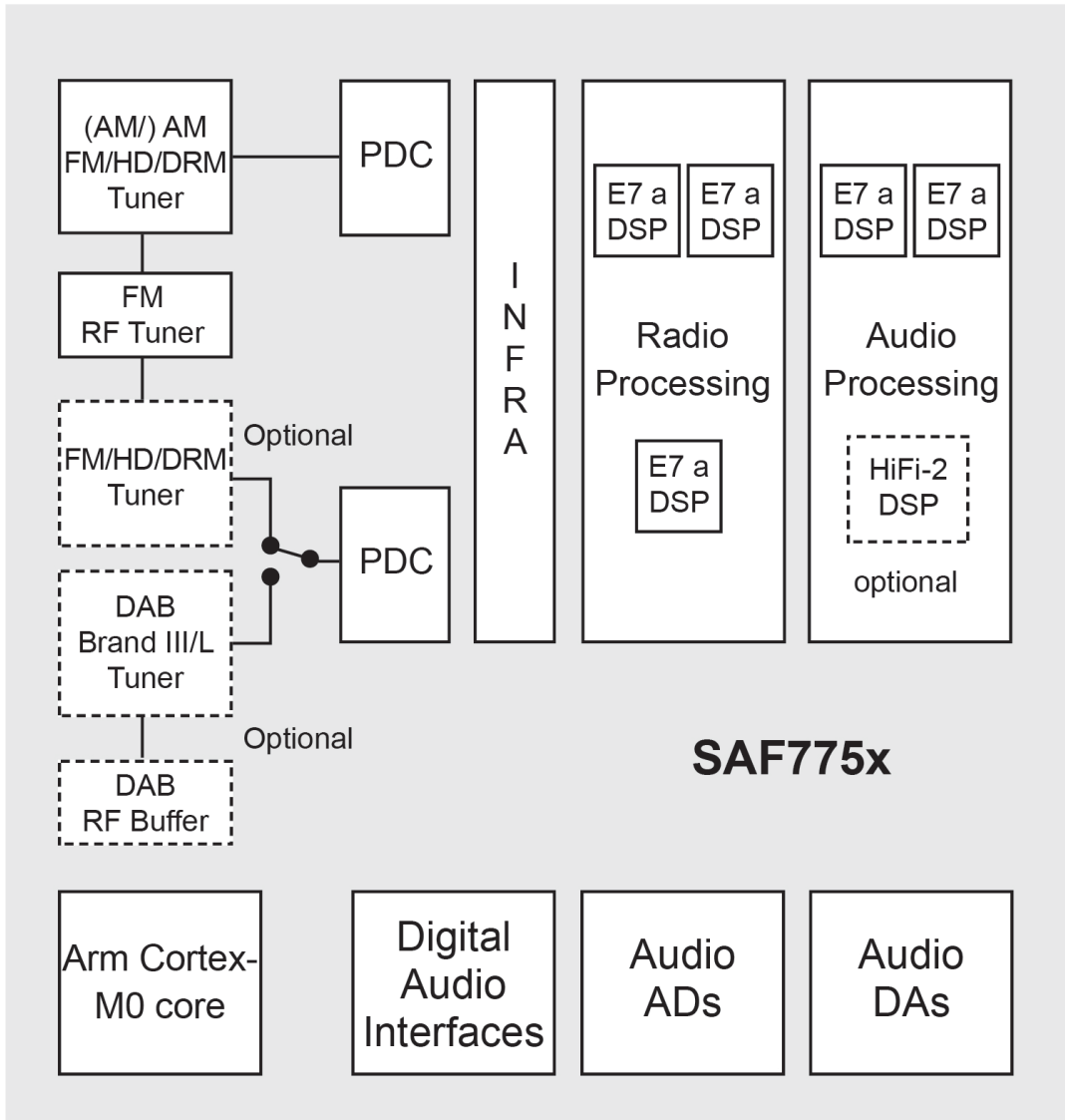
The SAF775x CarDSP is produced with RFCMOS technology, offering >700 MHz radio processing and >450 MHz audio processing in dedicated E7a DSPs. It allows high-class performance for mid-range and high-end car infotainment systems:

- Two high sensitivity tuners on chip
- Core audio processing integrated
- Highly flexible audio routing from multiple inputs to multiple outputs, digital and analog signals
- Open Audio DSP for advanced audio functions
- Additional features activated via key-codes
- Digital Radio (HD/DAB/DRM) support

# Audio Interfaces Block Diagram Block Diagram



# SAF775X Block Diagram Block Diagram



View additional information for [High Performance AM/FM/DAB Dual Tuner, Integrated Audio Post Processing, Open HiFi 2 Core.](#)

**Note:** The information on this document is subject to change without notice.

[www.nxp.com](http://www.nxp.com)

NXP and the NXP logo are trademarks of NXP B.V. All other product or service names are the property of their respective owners. The related technology may be protected by any or all of patents, copyrights, designs and trade secrets. All rights reserved. © 2024 NXP B.V.