



NFC Frontend supporting challenging RF environment for payment, physical access control

PN5190

Last Updated: Apr 29, 2024

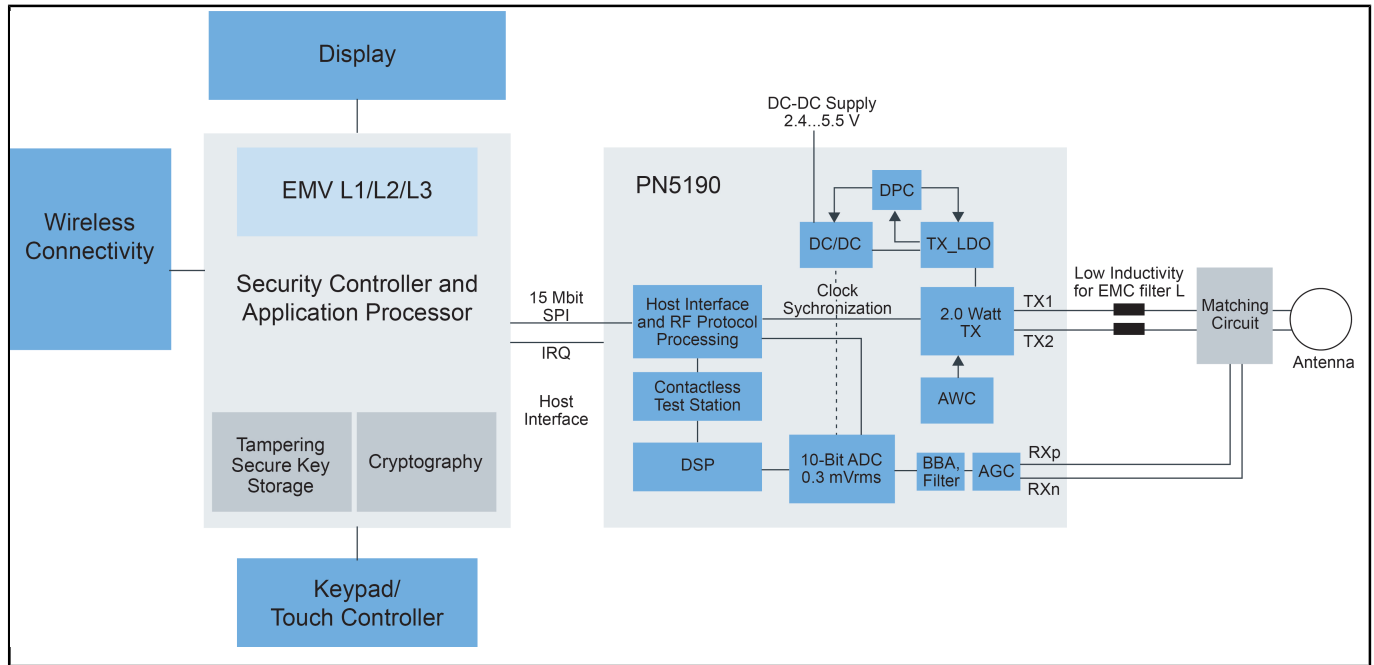
Please check the new online [NFC Antenna Tool](#) for tag and reader devices.

As a full NFC frontend with High RF output (2W) and High receiver sensitivity, the NXP PN5190 is a robust solution for payment terminals and all readers that need to generate a strong RF field in a difficult environment.

The PN5190 simplifies design while ensuring interoperability with a broad range of smartcards and mobile phones and allows to achieve EMVCo 3.1 analog and digital L1 compliancy.

The High output power and receiver sensitivity allow the design of small antennas maintaining the communication range of a larger antenna. This is especially interesting for designs with limited space for a large antenna. Efficient power-saving modes allow long battery lifetime for battery-powered systems, including residential access locks.

PN5190 Block Diagram Block Diagram



View additional information for [NFC Frontend supporting challenging RF environment for payment, physical access control.](#)

Note: The information on this document is subject to change without notice.

www.nxp.com

NXP and the NXP logo are trademarks of NXP B.V. All other product or service names are the property of their respective owners. The related technology may be protected by any or all of patents, copyrights, designs and trade secrets. All rights reserved. © 2024 NXP B.V.