



LCD Column Driver for Dot Matrix Graphic Displays

PCF8579

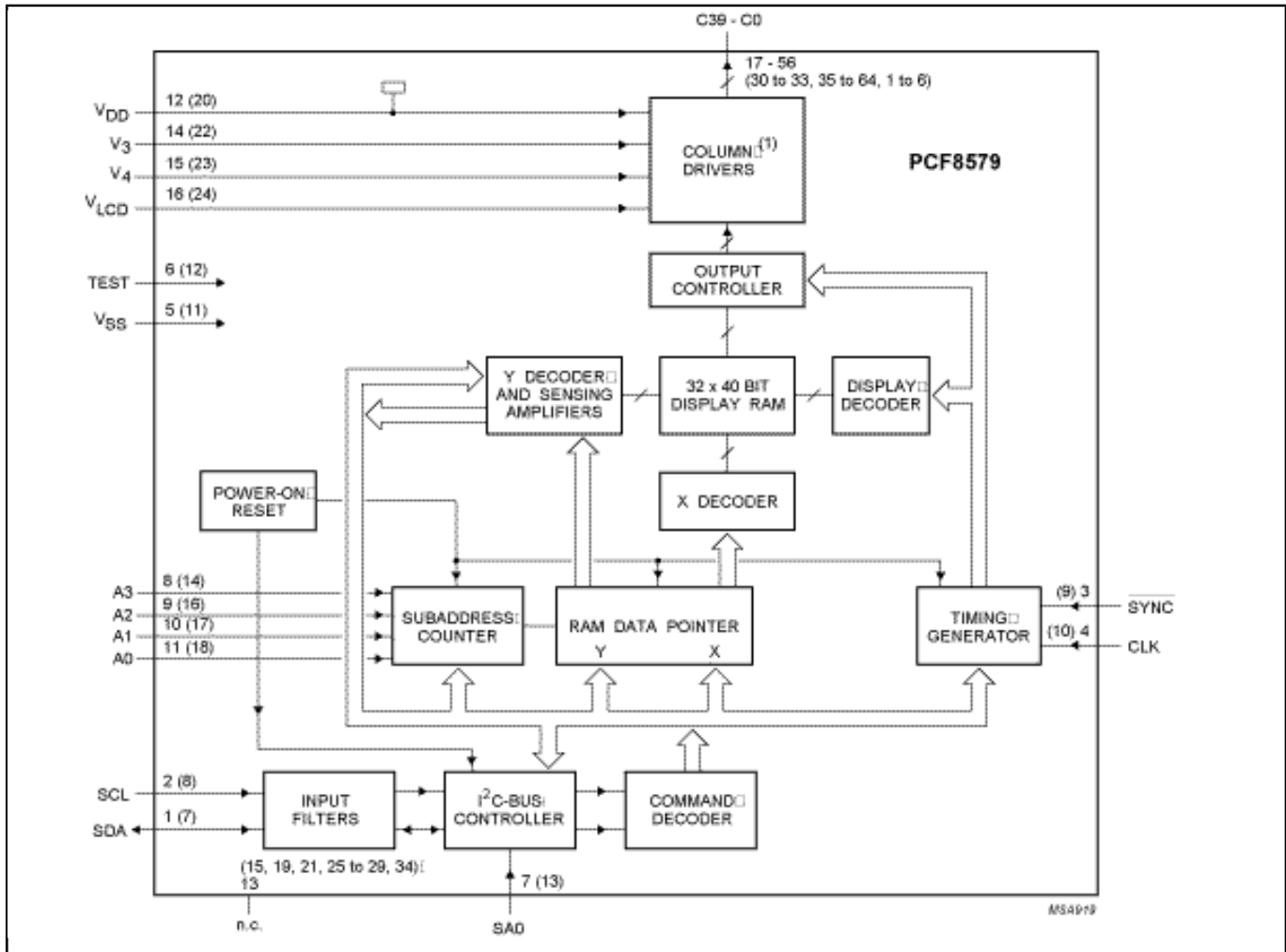
Not Recommended for New Designs

This page contains information on a product that is not recommended for new designs.

Last Updated: Oct 13, 2023

The PCF8579 is a low power CMOS LCD column driver, designed to drive dot matrix graphic displays at multiplex rates of 1:8, 1:16, 1:24 or 1:32. The device has 40 outputs and can drive 32 x 40 dots in a 32 row multiplexed LCD. Up to 16 PCF8579 can be cascaded and up to 32 devices may be used on the same I²C-bus (using the two target addresses). The device is optimized for use with the PCF8578 LCD row/column driver. Together these devices form a general purpose LCD dot matrix driver chip set, capable of driving displays of up to 40960 dots. The PCF8579 is compatible with most microcontrollers and communicates via a two-line bidirectional bus (I²C-bus). To allow partial VDD shutdown the ESD protection system of the SCL and SDA pins does not use a diode connected to VDD. Communication overhead is minimized by a display RAM with auto-incremented addressing and display bank switching.

Block diagram: PCF8579HT, PCF8579T Block Diagram



View additional information for [LCD Column Driver for Dot Matrix Graphic Displays](#).

Note: The information on this document is subject to change without notice.

www.nxp.com

NXP and the NXP logo are trademarks of NXP B.V. All other product or service names are the property of their respective owners. The related technology may be protected by any or all of patents, copyrights, designs and trade secrets. All rights reserved. © 2024 NXP B.V.