



Passive Keyless Entry Chip

NCF29AG-H

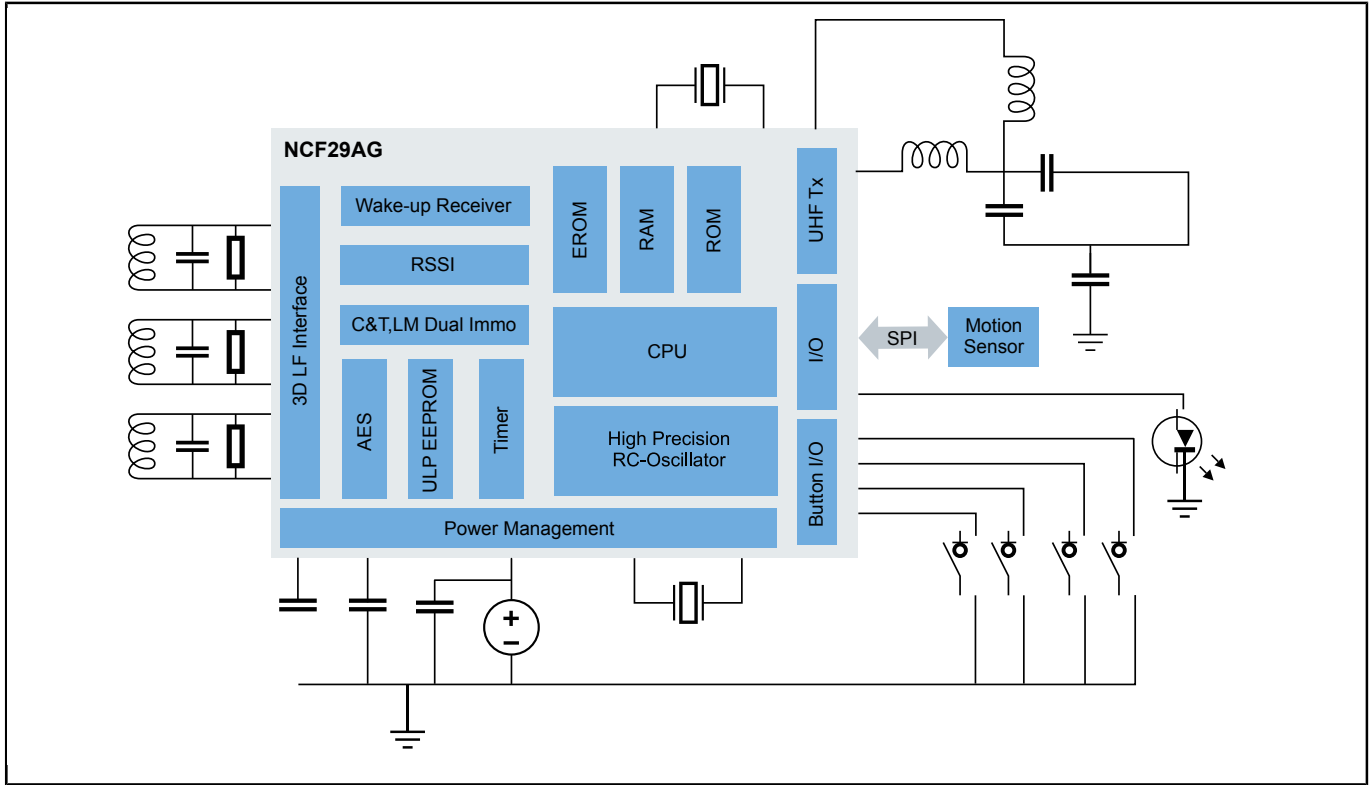
Last Updated: Oct 23, 2023

More information about this product upon NDA. Please access our [NDA FAQs page](#)

The NCF29AG/NCF29AH is an extremely compact single chip solution, ideally suited for automotive applications with combined vehicle immobilization and keyless entry/start functions. The device incorporates a highly sensitive 125 kHz wake-up receive, a highly accurate RSSI measurement unit, a UHF transmitter, a LF security transponder and a RISC controller on the same chip and requires only a few external components. Thanks to the outstanding LF sensitivity the chip is enabling unprecedented passive keyless range. The security transponder operation is supported even with depleted or without an external battery supply. The device supports all field proven NXP load modulation transponders, and in addition, a new charge and talk transponder using active back transmission.

For additional information and sample availability, contact your local [Sales Office](#).

NCF29AG Block Diagram



View additional information for [Passive Keyless Entry Chip](#).

Note: The information on this document is subject to change without notice.

www.nxp.com

NXP and the NXP logo are trademarks of NXP B.V. All other product or service names are the property of their respective owners. The related technology may be protected by any or all of patents, copyrights, designs and trade secrets. All rights reserved. © 2024 NXP B.V.