



# 15 Watt Wireless Charging Receiver ICs

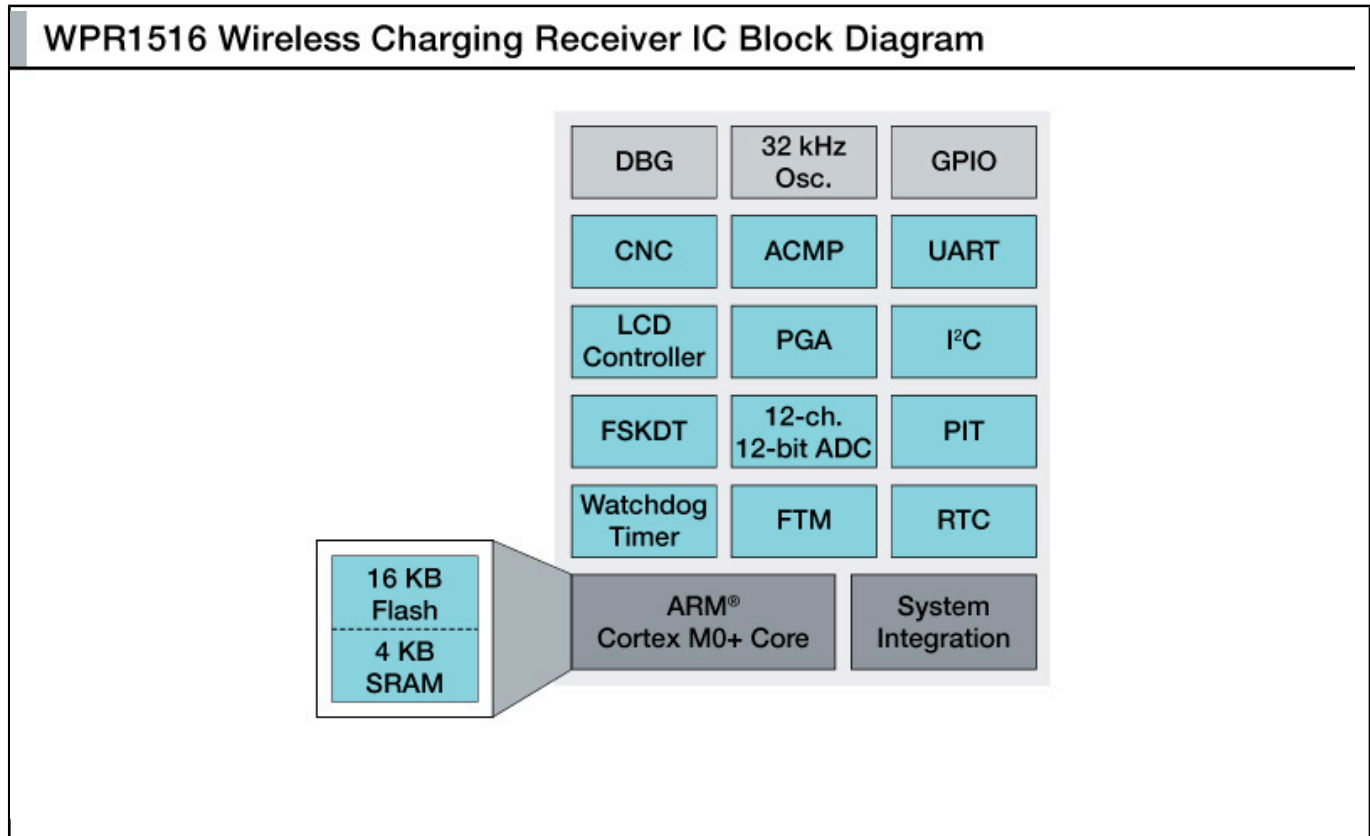
## MWPR1516

Last Updated: Apr 9, 2022

The MWPR1516 wireless charging IC and reference platform, based on the Arm® Cortex®-M0+ core, extends our wireless charging portfolio to support up to 15 watt charging power.

- Ideal for industrial and consumer applications, the MWPR1516 supports larger form factors that require faster charging times
- The high level of integration enables the MWPR1516 IC to drive smaller PCB form factor designs and offer the possibility for applications to do thermal design based on the application requirement
- This family adheres to the Wireless Power Consortium (WPC) and Medium Power Working Group (MPWG) specifications

## MWPR1XXX Block Diagram Block Diagram



View additional information for [15 Watt Wireless Charging Receiver ICs](#).

Note: The information on this document is subject to change without notice.

[www.nxp.com](http://www.nxp.com)

NXP and the NXP logo are trademarks of NXP B.V. All other product or service names are the property of their respective owners. The related technology may be protected by any or all of patents, copyrights, designs and trade secrets. All rights reserved. © 2024 NXP B.V.