



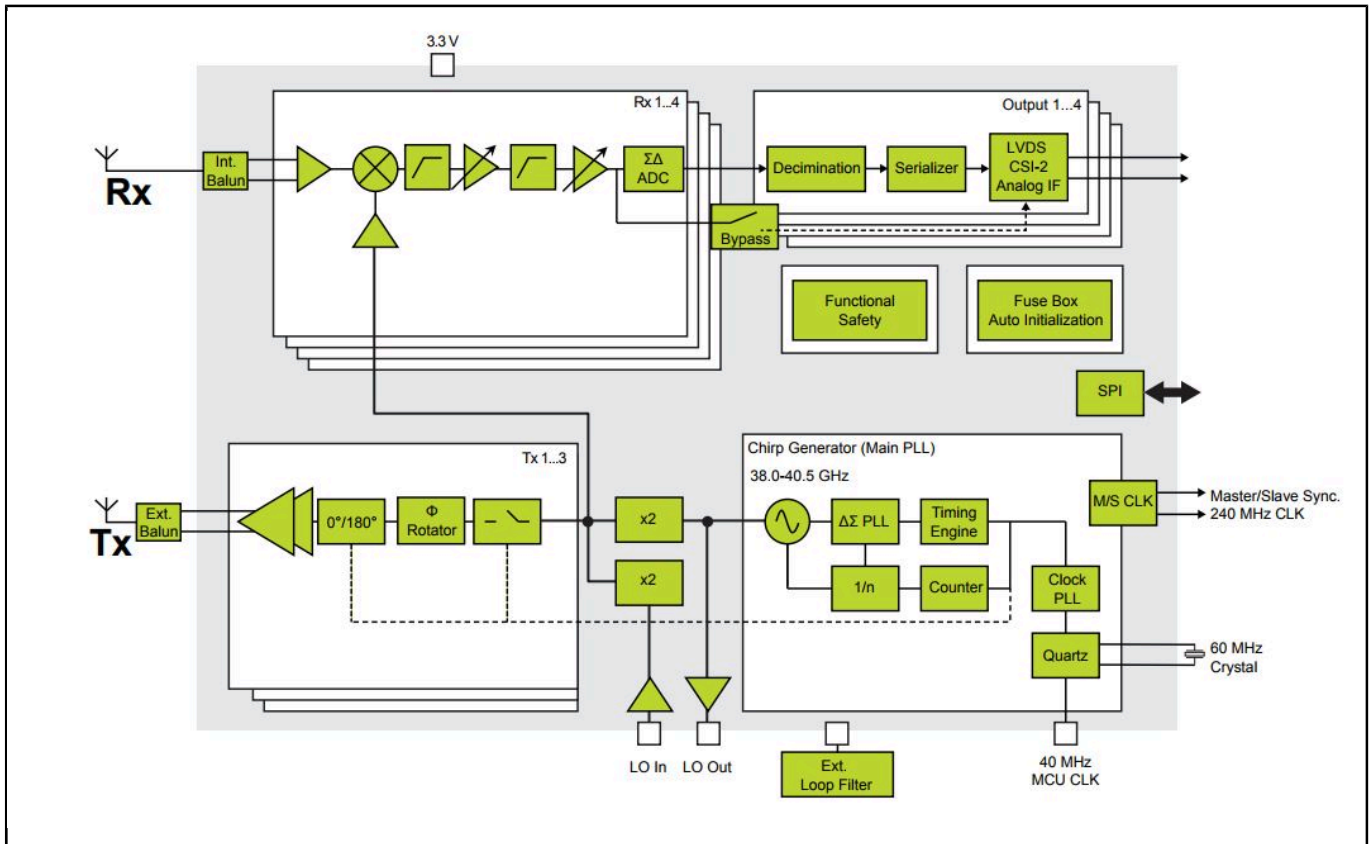
MR3003 High-Performance 77 GHz Radar Transceiver

MR3003

Last Updated: Apr 11, 2024

The MR3003 is a high-performance, automotive qualified single chip 76–81 GHz transceiver for radar applications. The MR3003 transceiver includes 3 transmit and 4 receive channels. The MR3003 provides high performance such as high angular resolution with TX phase rotation, powerful separation of objects due to low phase noise and linearity, and long detection range due to high output power and low noise figure.

MR3003 Block Diagram Block Diagram



View additional information for [MR3003 High-Performance 77 GHz Radar Transceiver](#).

Note: The information on this document is subject to change without notice.

www.nxp.com

NXP and the NXP logo are trademarks of NXP B.V. All other product or service names are the property of their respective owners. The related technology may be protected by any or all of patents, copyrights, designs and trade secrets. All rights reserved. © 2024 NXP B.V.