



KW41Z Power Amplifier Reference Design

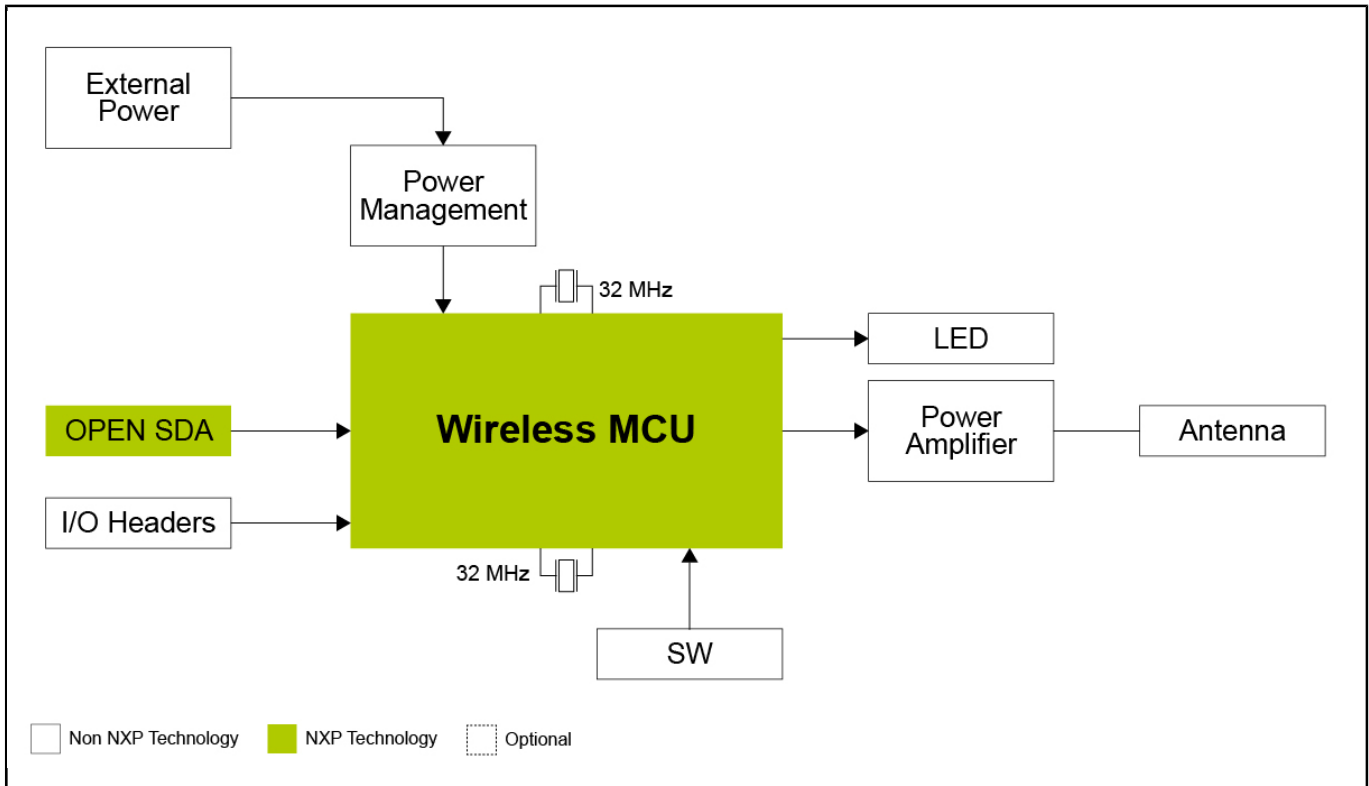
KW41Z-PA-RD

Last Updated: May 1, 2023

The KW41Z Power Amplifier reference design uses an external power amplifier to boost the transmitter output power to +20 dBm. This enables extended range for applications that require communications over long distances or in harsh RF environments. The reference design uses the KW41Z wireless MCU which is pin compatible with KW31Z and KW21Z devices. The KW41Z can easily be replaced with the desired device.

Note: [K32W061/41](#) is preferred for any new Zigbee®, Thread and Bluetooth® LE 5.0 design. No new software releases planned

KW41Z Power Amplifier Block Diagram



View additional information for [KW41Z Power Amplifier Reference Design](#).

Note: The information on this document is subject to change without notice.

www.nxp.com

NXP and the NXP logo are trademarks of NXP B.V. All other product or service names are the property of their respective owners. The related technology may be protected by any or all of patents, copyrights, designs and trade secrets. All rights reserved. © 2024 NXP B.V.