

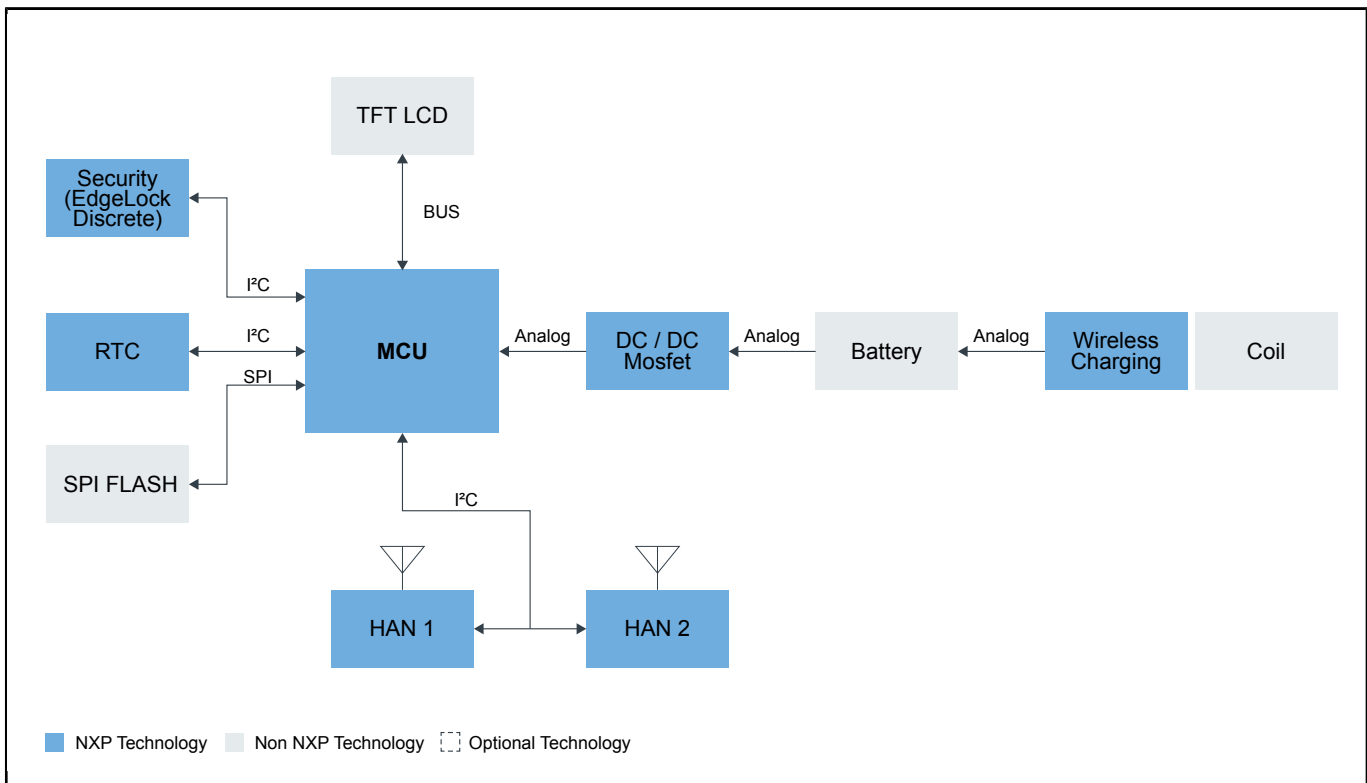


# In-Home Energy Display

Last Updated: Apr 18, 2024

In-Home Energy Displays are popular among residents who want to track and manage their energy consumption and costs. These displays are typically user-interactive and allow the operator to access real-time up-to-date information. Therefore, the handheld display must have a processor for system management, wireless connectivity to access consumption and cost data via multiple communication protocols, a real-time clock for time-stamping data and issuing various system alarms, and load switches for effectively managing the power consumption within the display system.

## In-home energy display Block Diagram

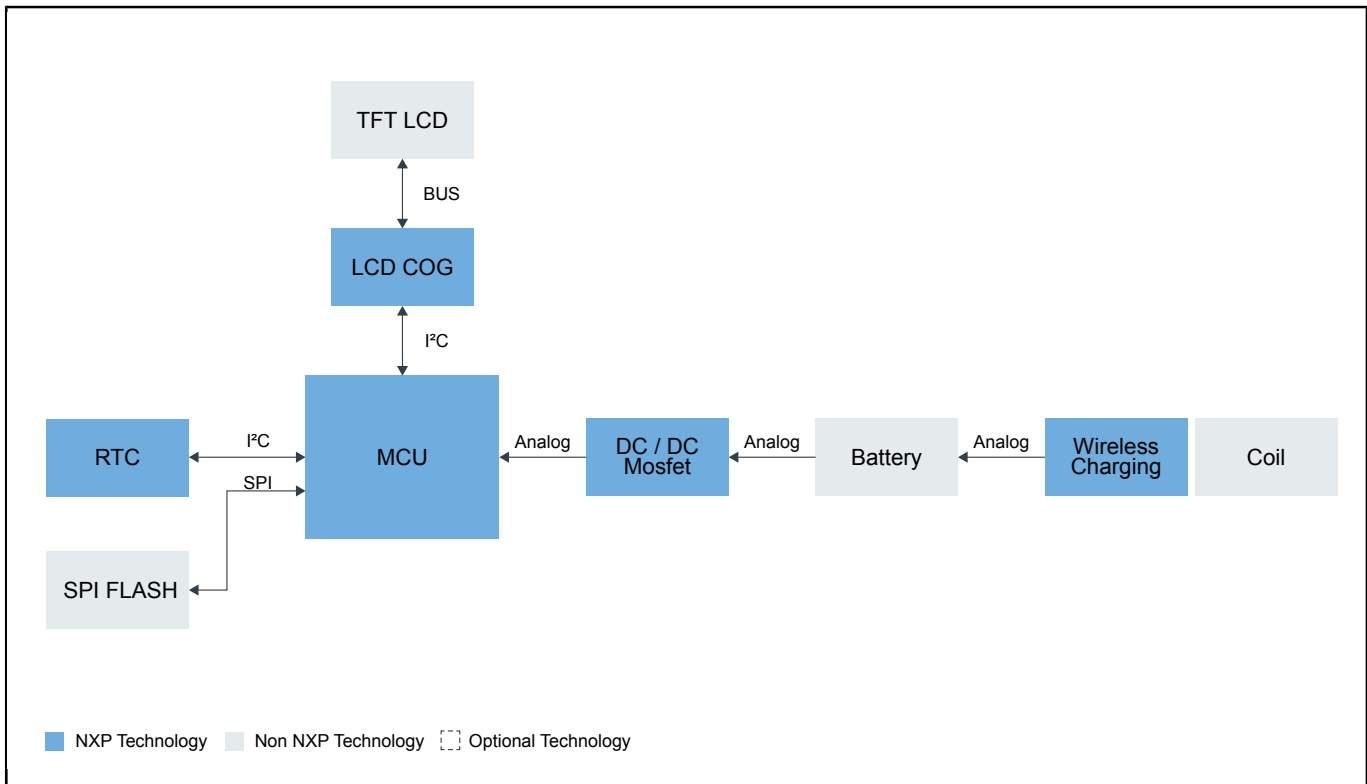


### Recommended Products for In-home energy display

MCU	<ul style="list-style-type: none"> <li>• <a href="#">LPC546XX</a>: Power-Efficient Microcontrollers (MCUs) With Advanced Peripherals Based on Arm® Cortex®-M4 Core</li> </ul>
-----	---

Security (EdgeLock Discrete)	<ul style="list-style-type: none"> <li>• <a href="#">SE050</a>: EdgeLock® SE050: Plug and Trust Secure Element Family – Enhanced IoT security with high flexibility</li> </ul>
RTC	<ul style="list-style-type: none"> <li>• <a href="#">PCA2131</a>: Nano-Power Highly Accurate RTC with Integrated Quartz Crystal for Automotive Applications</li> </ul>
HAN	<ul style="list-style-type: none"> <li>• <a href="#">JN5169</a>: ZigBee and IEEE802.15.4 Wireless Microcontroller with 512 KB Flash, 32 KB RAM</li> <li>• <a href="#">OL2385AHN</a>: Low-Power Multi-Channel UHF RF Wireless Platform</li> </ul>
HAN	<ul style="list-style-type: none"> <li>• <a href="#">JN5169</a>: ZigBee and IEEE802.15.4 Wireless Microcontroller with 512 KB Flash, 32 KB RAM</li> <li>• <a href="#">OL2385AHN</a>: Low-Power Multi-Channel UHF RF Wireless Platform</li> </ul>
DC/DC	<ul style="list-style-type: none"> <li>• <a href="#">PCA9410_9410A</a>: 3.0 MHz, 500 MA, DC-to-DC Boost Converter</li> </ul>
Wireless Charging	<ul style="list-style-type: none"> <li>• <a href="#">Wireless Power</a>: Wireless Power</li> </ul>

## Entry-level Block Diagram

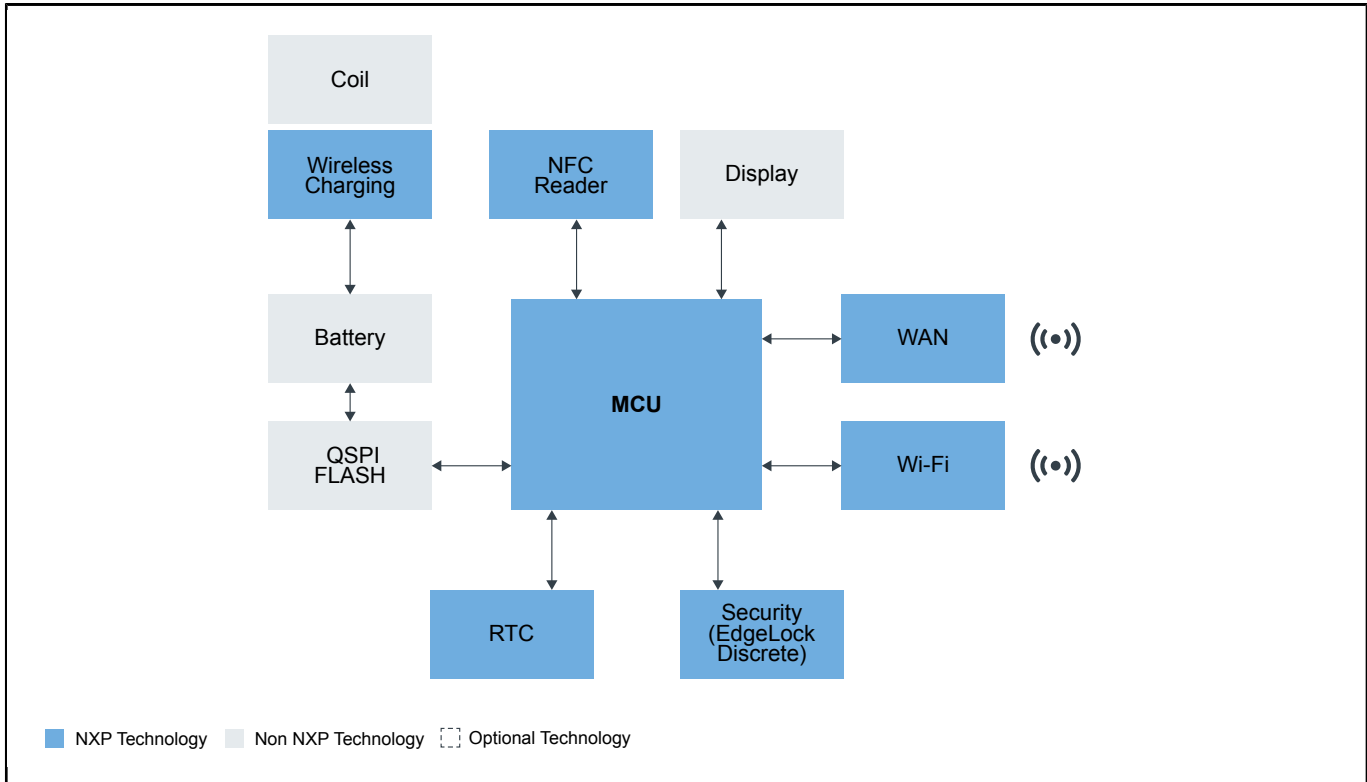


### Recommended Products for Entry-level

MCU	<ul style="list-style-type: none"> <li>• <a href="#">JN5169</a>: ZigBee and IEEE802.15.4 Wireless Microcontroller with 512 KB Flash, 32 KB RAM</li> </ul>
DC/DC	<ul style="list-style-type: none"> <li>• <a href="#">PCA9410_9410A</a>: 3.0 MHz, 500 MA, DC-to-DC Boost Converter</li> </ul>

LCD COG	<ul style="list-style-type: none"> <li>• <a href="#">PCF85133U</a>: Universal LCD Driver for Low Multiplex Rates</li> </ul>
RTC	<ul style="list-style-type: none"> <li>• <a href="#">PCA2131</a>: Nano-Power Highly Accurate RTC with Integrated Quartz Crystal for Automotive Applications</li> </ul>
Wireless Charging	<ul style="list-style-type: none"> <li>• <a href="#">Wireless Power</a>: Wireless Power</li> </ul>

## High-end Block Diagram



### Recommended Products for High-end

MCU/MPU	<ul style="list-style-type: none"> <li>• <a href="#">i.MX-RT1050</a>: i.MX RT1050 Crossover MCU with Arm® Cortex®-M7 Core</li> <li>• <a href="#">i.MX6UL</a>: i.MX 6UltraLite Processor - Low-Power, Secure, Arm® Cortex®-A7 Core</li> </ul>
Connectivity	<ul style="list-style-type: none"> <li>• <a href="#">OL2385AHN</a>: Low-Power Multi-Channel UHF RF Wireless Platform</li> </ul>
Connectivity	<ul style="list-style-type: none"> <li>• <a href="#">OL2385AHN</a>: Low-Power Multi-Channel UHF RF Wireless Platform</li> </ul>
Wireless Charging	<ul style="list-style-type: none"> <li>• <a href="#">Wireless Power</a>: Wireless Power</li> </ul>
RTC	<ul style="list-style-type: none"> <li>• <a href="#">PCF2123</a>: SPI Real-Time Clock/Calendar</li> </ul>

Security (EdgeLock Discrete)	<ul style="list-style-type: none"><li>• <a href="#">SE050</a>: EdgeLock® SE050: Plug and Trust Secure Element Family – Enhanced IoT security with high flexibility</li></ul>
NFC Reader	<ul style="list-style-type: none"><li>• <a href="#">PN7160</a>: NFC Plug and Play Controller with Integrated Firmware and NCI Interface</li></ul>

View our complete solution for [In-Home Energy Display](#).

**Note:** The information on this document is subject to change without notice.

---

**[www.nxp.com](http://www.nxp.com)**

NXP and the NXP logo are trademarks of NXP B.V. All other product or service names are the property of their respective owners. The related technology may be protected by any or all of patents, copyrights, designs and trade secrets. All rights reserved. © 2024 NXP B.V.