



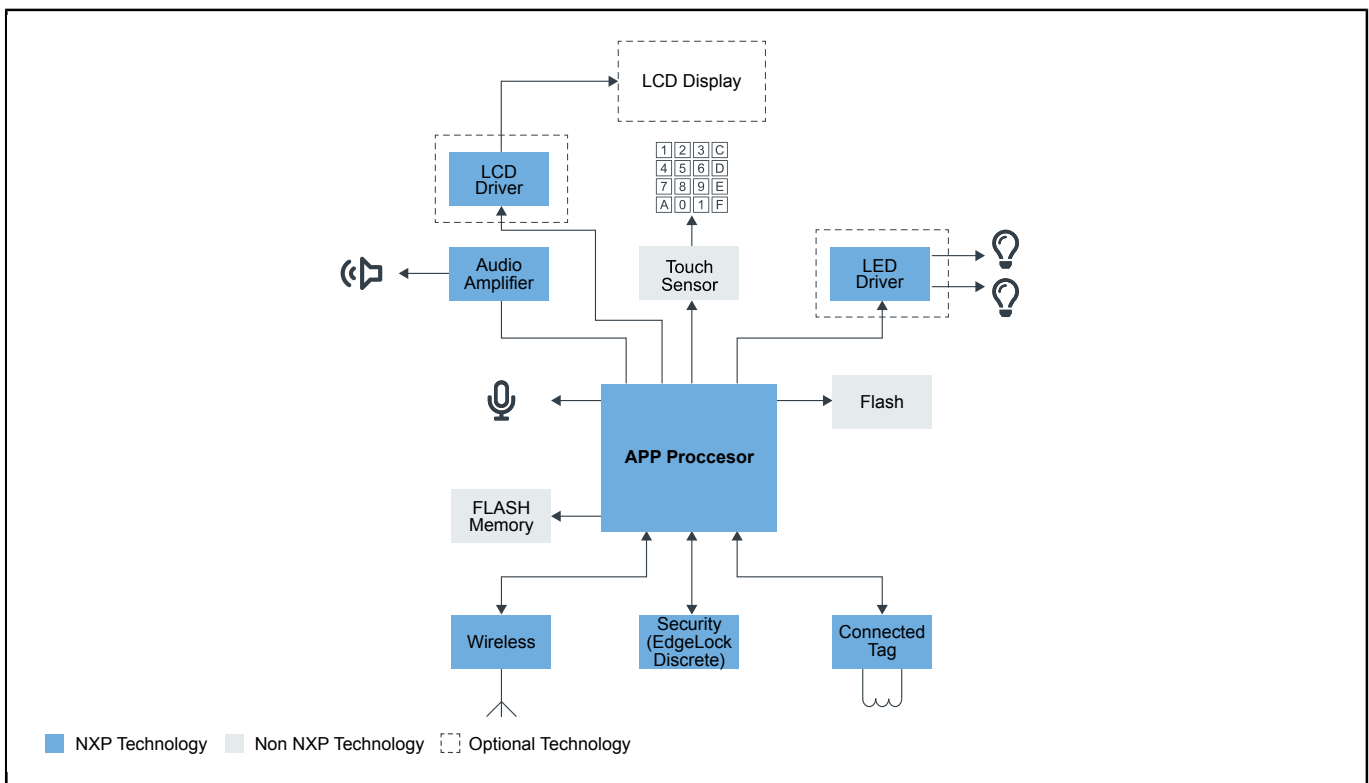
Set Top Boxes

Last Updated: Oct 13, 2023

Set-top-boxes range from very simple audio and video gateways to complex information gateways. NXP offers the right products to create and connect in parallel different types of set-top-boxes.

- Support for FullHD and 4K video.
- Support for 5.1 Dolby ATMOS audio
- Support for S/PDIF to directly connect a speaker array.
- NXP's zero power loop-through switches enable TV reception
- ESD protections for HDMI, USB and SATA.
- Wireless connectivity including WiFi and Bluetooth Low Energy.
- Content access secure authentication
- Voice-enabled remote control

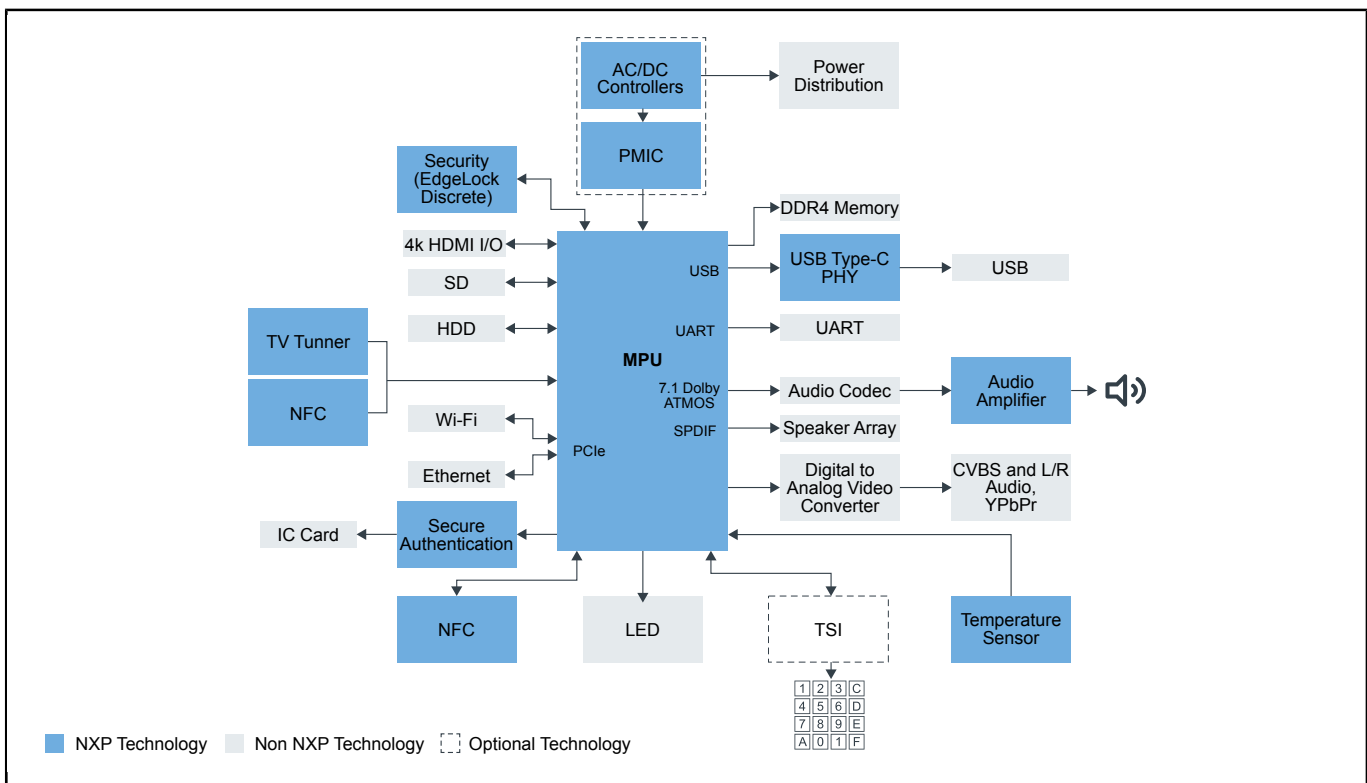
Single Tuner Block Diagram



Recommended Products for Single Tuner

MPU	<ul style="list-style-type: none"> • i.MX-RT1060: i.MX RT1060: Crossover MCU with Arm® Cortex®-M7
Wireless	<ul style="list-style-type: none"> • KW41Z: Kinetis® KW41Z-2.4 GHz Dual Mode: Bluetooth® Low Energy and 802.15.4 Wireless Radio Microcontroller (MCU) based on Arm® Cortex®-M0+ Core • 88W8897: 2.4/5 GHz Dual-Band 2x2 Wi-Fi® 5 (802.11ac) + Bluetooth® 5.0 Solution • QN9090-30: QN9090/30: Bluetooth Low-Energy MCU with Arm®Cortex®-M4 CPU, Energy Efficiency, Analog and Digital Peripherals and NFC Tag Option
Security (EdgeLock Discrete)	<ul style="list-style-type: none"> • SE050: EdgeLock® SE050: Plug and Trust Secure Element Family – Enhanced IoT security with high flexibility
Connected Tag	<ul style="list-style-type: none"> • NTAG_I2C: NTAG I²C Plus 2K: NFC Forum Type 2 Tag with I²C Interface
LED Driver (Voice Control Remote)	<ul style="list-style-type: none"> • PCA9955BTW: 16-Channel Fm+ I²C-Bus 57 MA/20 V Constant-Current LED Driver
LCD Driver	<ul style="list-style-type: none"> • PCF85176: 40 X 4 Universal LCD Driver for Low Multiplex Rates
Audio Amplifier	<ul style="list-style-type: none"> • TFA9879HN: TFA9879HN, Mono BTL Class D Audio Amplifier for Portable Applications with Digital Input

Multi Tuner Block Diagram



Recommended Products for Multi Tuner	
SoC	<ul style="list-style-type: none"> • i.MX8M: i.MX 8M Family - Arm® Cortex®-A53, Cortex-M4, Audio, Voice, Video
Secure Authentication	<ul style="list-style-type: none"> • SMARTMX2-P60: SmartMX2 P60: Single/Dual Contact Interface Controllers
AC/DC	<ul style="list-style-type: none"> • TEA1721DT: HV Start-up Flyback Controller with Integrated MOSFET for 5 W Applications, F~Burst = 1270 Hz • TEA1723DT: HV Start-up Flyback Controller with Integrated MOSFET for 11 W Applications, F~Burst = 1270 Hz
PMIC	<ul style="list-style-type: none"> • PF1550: PMIC with 1A Li+ Linear Battery Charger for Low Power Processor Systems
TV Tuner	<ul style="list-style-type: none"> • TDA18250_18254: Cable Silicon Tuner
USB Type C PHY	<ul style="list-style-type: none"> • PTN5150: CC Logic for USB Type-C Applications
Temperature Sensor	<ul style="list-style-type: none"> • PCT2075: I²C-Bus Fm+, 1 Degree C Accuracy, Digital Temperature Sensor and Thermal Watchdog
NFC	<ul style="list-style-type: none"> • PN7160: NFC Plug and Play Controller with Integrated Firmware and NCI Interface
Audio Amplifier	<ul style="list-style-type: none"> • TFA9879HN: TFA9879HN, Mono BTL Class D Audio Amplifier for Portable Applications with Digital Input
Security (EdgeLock Discrete)	<ul style="list-style-type: none"> • SE050: EdgeLock® SE050: Plug and Trust Secure Element Family – Enhanced IoT security with high flexibility • SE051: EdgeLock® SE051: Proven, Easy-to-Use IoT Security Solution with Support for Updatability and Custom Applets • EDGELOCK-A5000: EdgeLock® A5000 Plug and Trust Secure Authenticator: Authentication Made Secure, Scalable and Easy

View our complete solution for [Set Top Boxes](#).

Note: The information on this document is subject to change without notice.

www.nxp.com

NXP and the NXP logo are trademarks of NXP B.V. All other product or service names are the property of their respective owners. The related technology may be protected by any or all of patents, copyrights, designs and trade secrets. All rights reserved. © 2024 NXP B.V.