



USB PD and Type-C High-Voltage Sink/Source Combo Switch with Protection

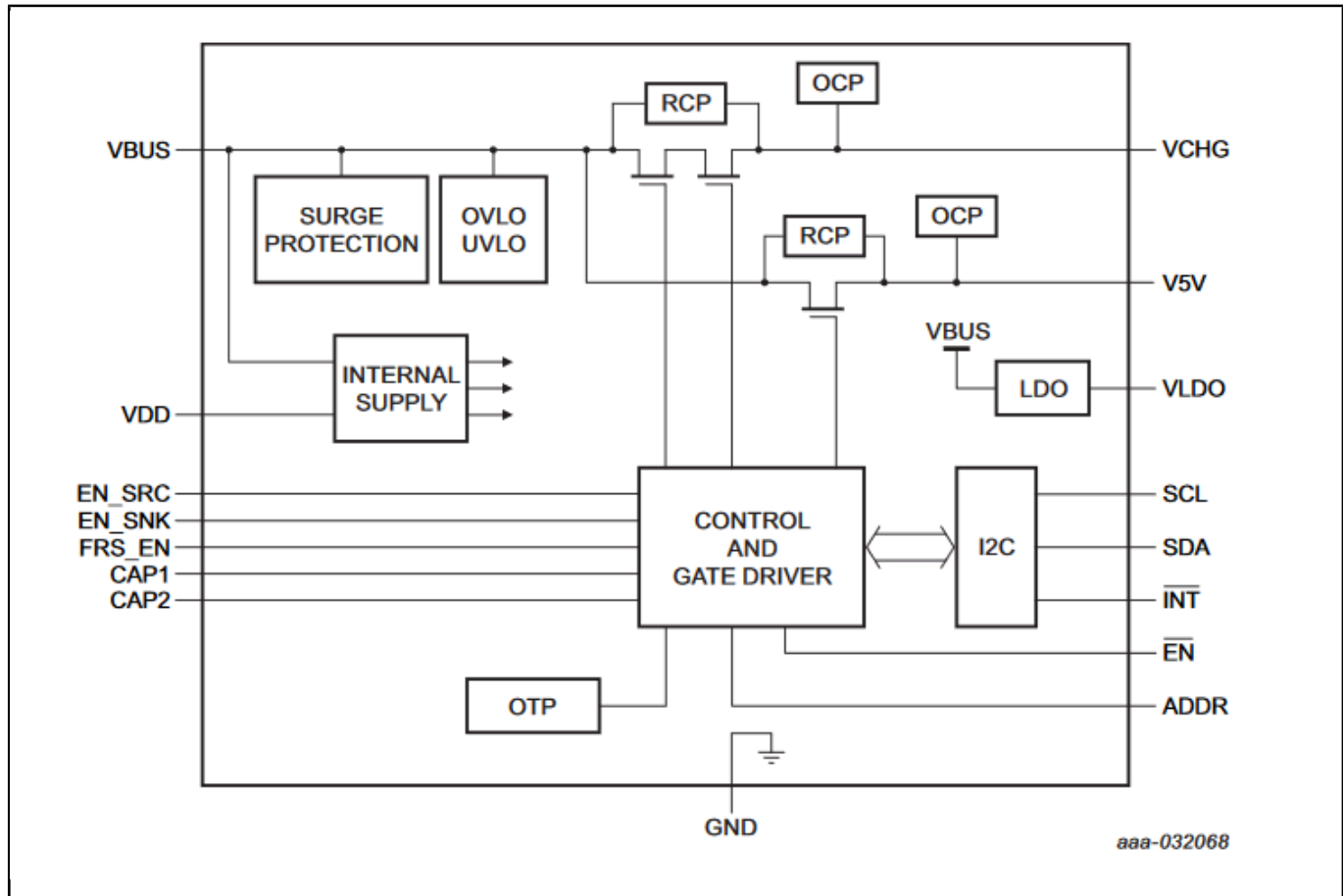
NX20P3483UK

Last Updated: Jun 6, 2022

The NX20P3483UK is a product with combined multiple power switches and an LDO for USB PD application. The device includes a bi-directional high-voltage power switch which supports both 20V sink and 6V source; a 5V power switch for source and a 100mA LDO provides a power supply for dead battery operation.

The high-voltage power switch has 29V DC tolerance and is able to sink up to 5A at a maximum of 20V and source up to 3.4A at a maximum of 6V. When it is configured as a high-voltage sink switch, the path has overvoltage protection and reverse current protection features. While it is configured as a high-voltage source switch, the adjustable overcurrent limit circuit is integrated.

NX20P3483UK Block diagram Block Diagram



View additional information for [USB PD and Type-C High-Voltage Sink/Source Combo Switch with Protection](#).

Note: The information on this document is subject to change without notice.

www.nxp.com

NXP and the NXP logo are trademarks of NXP B.V. All other product or service names are the property of their respective owners. The related technology may be protected by any or all of patents, copyrights, designs and trade secrets. All rights reserved. © 2024 NXP B.V.