



KW45: 32-Bit Bluetooth® 5.3 Long-Range MCUs with CAN FD and LIN Bus Options, Arm® Cortex®-M33 Core

KW45

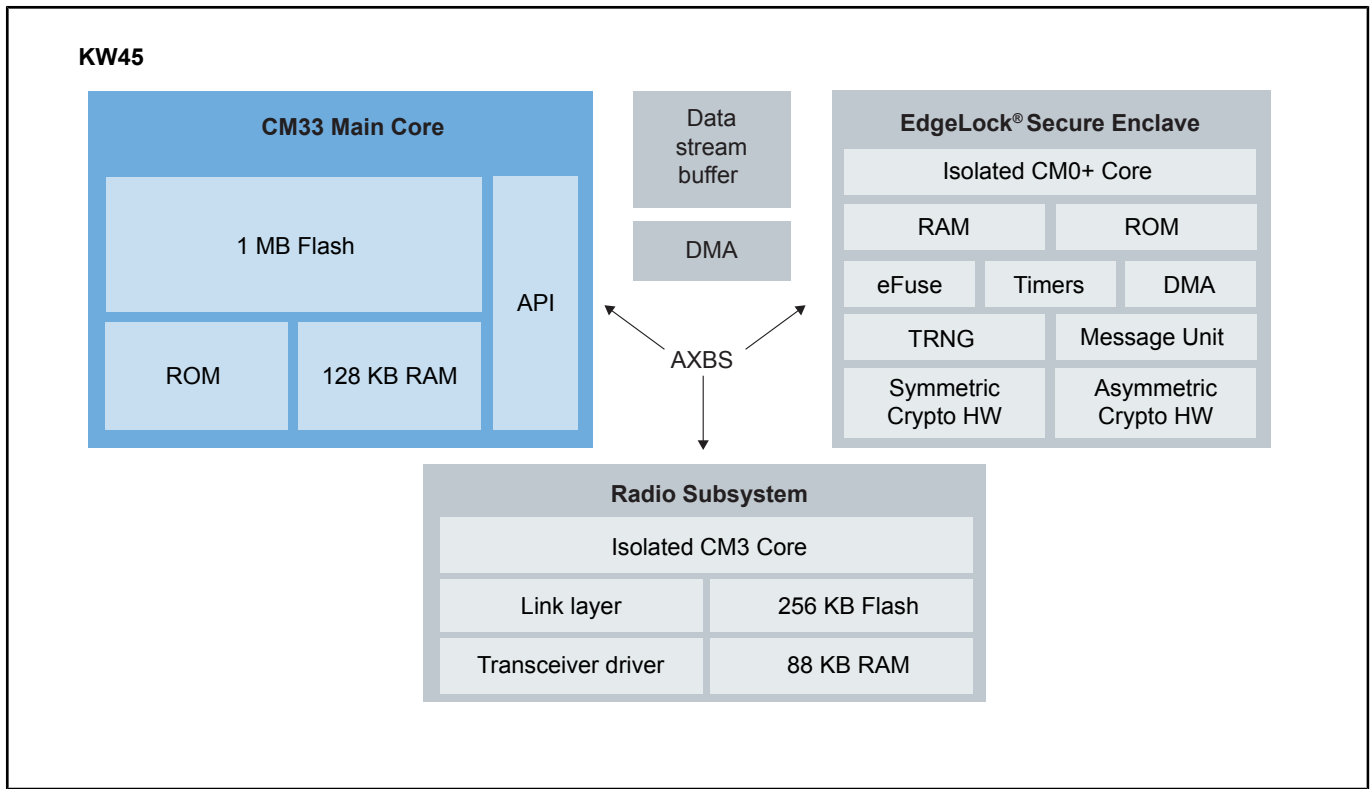
Last Updated: Apr 29, 2024

KW45's three-core architecture integrates a 96 MHz CM33 application core, dedicated CM3 radio core and an isolated EdgeLock Secure Enclave. The Flash-based radio core with dedicated SRAM delivers a highly configurable and upgradeable software-implemented radio, freeing resources on the main core for customer application space.

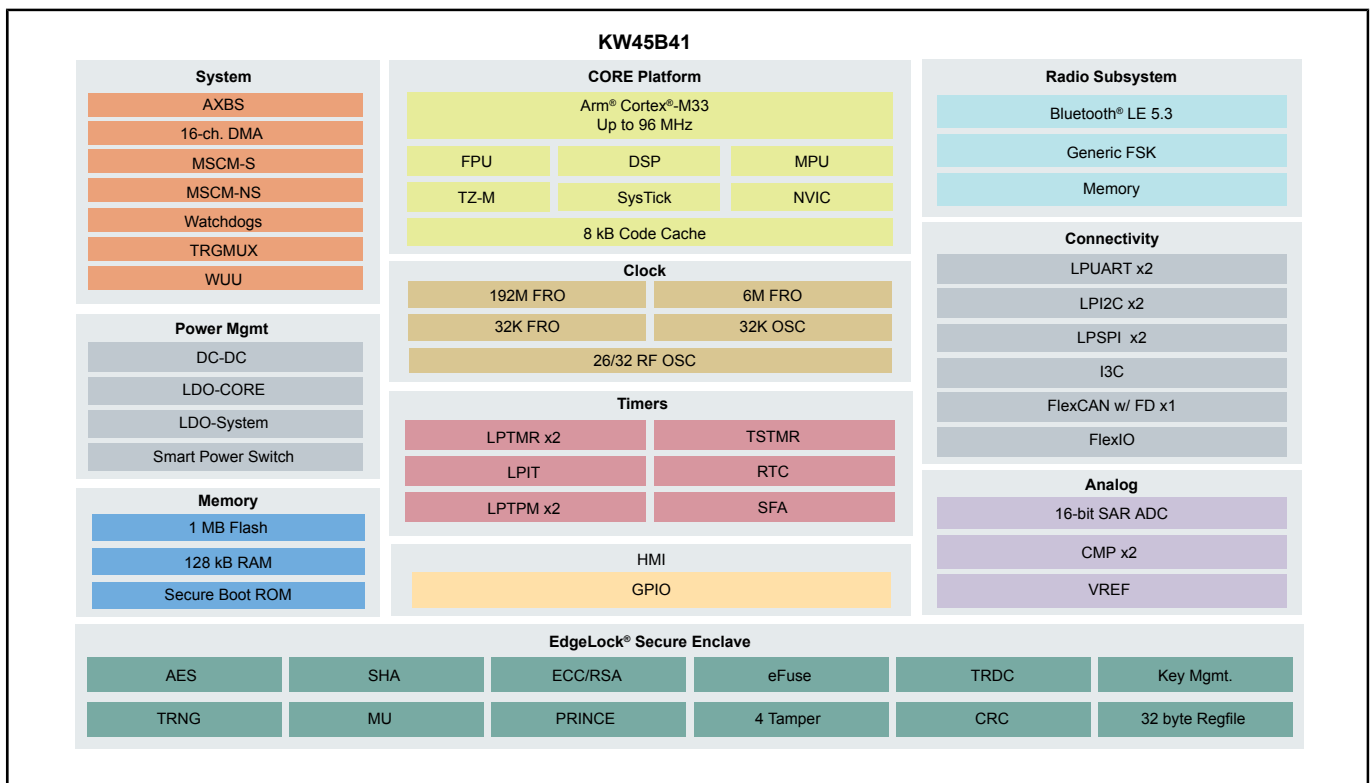
The Bluetooth Low Energy 5.3-compliant radio supports up to 24 simultaneous secure connections. The EdgeLock Secure Enclave's isolated execution environment provides a set of cryptographic accelerators, key store operations and secure lifecycle management that minimizes main core security responsibilities.

The KW45 MCU additionally integrates FlexCAN, helping enable seamless integration into an automobile's in-vehicle or industrial CAN communication network. The FlexCAN module can support CAN's flexible data rate (CAN FD) for increased bandwidth and lower latency.

KW45 Architecture Block Diagram



KW45 Device Features Block Diagram



View additional information for [KW45: 32-Bit Bluetooth® 5.3 Long-Range MCUs with CAN FD and LIN Bus Options, Arm® Cortex®-M33 Core](#).

Note: The information on this document is subject to change without notice.

www.nxp.com

NXP and the NXP logo are trademarks of NXP B.V. All other product or service names are the property of their respective owners. The related technology may be protected by any or all of patents, copyrights, designs and trade secrets. All rights reserved. © 2024 NXP B.V.